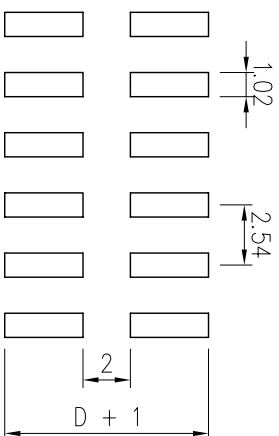
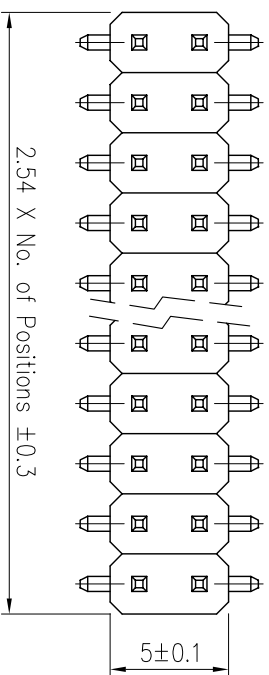


Recommended
P.C. Board Hole Layout

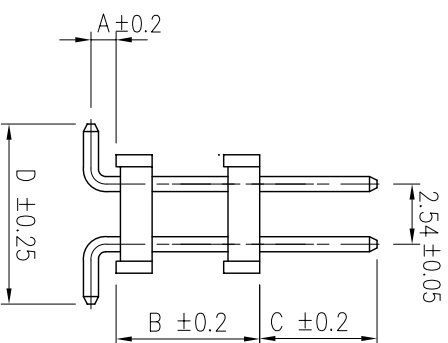
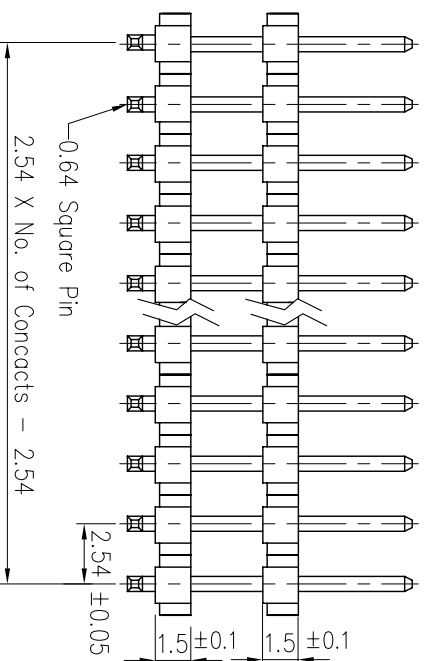


Specifications

- Current Rating : 3 Amps
- Insulator Resistance : 1000 Megohms min.
- Contact Resistance : 20 m ohms max.
- Dielectric Withstanding : AC 600V
- Operating Temperature : -40°C ~ +105°C
- Contact Material : Brass
- Insulator Material : Polyester, UL 94V-0
Standard : Nylon-6T
- Contact Plated : See Option / Standard: Full Gold

Order Information

- PHAB - M 2 XX - X X XX - X X
- Serial Type
 - Terminal Type
 - M : SMT Type
 - Row Type
 - 2 : Dual Rows
 - No. of Pin per Row
 - Post Option
 - 0: W/O Post
 - 1: W/ Post
 - Terminal Dim.
 - 1. A=...,B=...,C=...,D=...
 - 2. A=...,B=...,C=...,D=...
 - 3. A=...,B=...,C=...,D=...
 - Contact Plating
 - Cap Option
 - B : Blank
 - P : Plastic Cap
 - Packing Method
 - T : In Tube
 - R : Tape & Reel



Contact Plating Option	Full Gold Plating	Gold Plating On Contact Area Tin Plating On Solder Area	Full Tin Plating
GA : Gold Flash GC : Gold 10u" GD : Gold 15u" GE : Gold 30u"	SA : Gold Flash SC : Gold 10u" SD : Gold 15u" SE : Gold 30u"	TA : Tin 100u"	

GENERAL TOLERANCE		單位 (UNIT)	料號 (PART NO.)	圖號 (DWG. NO.)	比例 (SCALE)	圖法 (PROJ.)	名稱 (TITLE)
X . ± 0.50	X . ± 5 .	mm	PHAB-M2XX-0XXX	PHAB-M2XX-0	3 : 1	第一版	Pin Header P2.54mm H:1.5mm Dual Rows, Dual Body,SMD Type
. X ± 0.20	. X ± 2 .		審核 (CHECKED)	製圖 (DRAWN)	張數 1 / 1	更改 SHEET	
. X X ± 0.10	. X X ± 1 .		Alice	Fen-Fen	REV. 1.0	REV.	
日期 (DATE)							