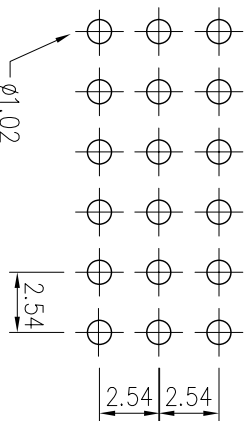
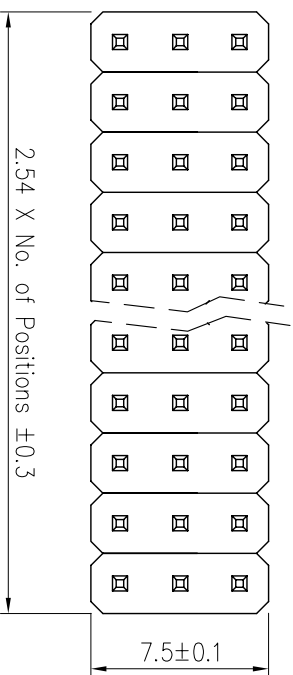


Recommended
P.C. Board Hole Layout

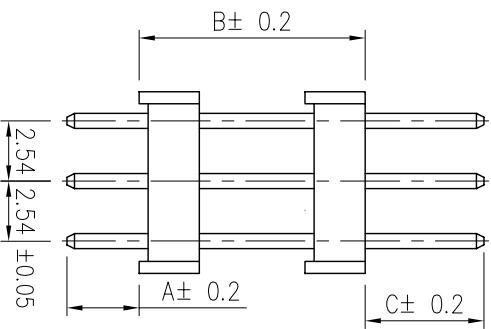
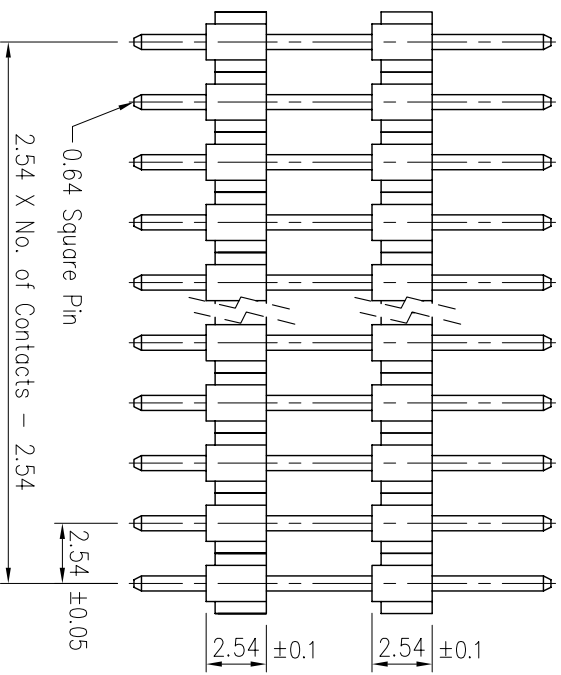
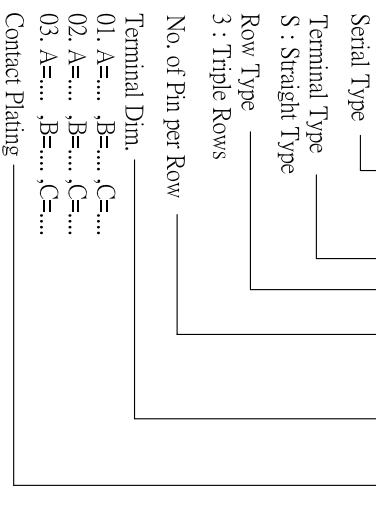


Specifications

Current Rating : 3 Amps
 Insulator Resistance : 1000 Megohms min.
 Contact Resistance : 20 m ohms max.
 Dielectric Withstanding : AC 600V
 Operating Temperature : -40°C ~ +105°C
 Contact Material : Brass
 Insulator Material : Polyester, UL 94V-0
 Standard : P.B.T
 Contact Plated : Full Gold, Full Tin, Selective Plated

Order Information

PHAA - S 3 XX - XX XX



| Contact Plating Option | | |
|---|---|------------------|
| Full Gold Plating | Gold Plating On Contact Area Tin Plating On Solder Area | Full Tin Plating |
| GA : Gold Flash GC : Gold 10u" GD : Gold 15u" GE : Gold 30u" | SA : Gold Flash SC : Gold 10u" SD : Gold 15u" SE : Gold 30u" | TA : Tin 100u" |

| GENERAL TOLERANCE | |
|-------------------|------------|
| X. ± 0.50 | X. ± 5° |
| .X ± 0.20 | .X ± 2° |
| .X X ± 0.10 | .X X ± 1° |
| 日期 (DATE) | 2007/05/03 |

| 單位 (UNIT) | 料號 (PART NO.) | 核對 (CHECKED) | 製圖 (DRAWN) |
|---------------|----------------|--------------|------------|
| mm | PHAA-S2XX-XXXX | Mary | Fen-Fen |
| 審核 (APPROVAL) | | | |
| Alice | | | |

| 圖號 (DWG. NO.) | 比例 (SCALE) | 張數 (SHEET) | 更改 (REV.) |
|---------------|------------|------------|-----------|
| PHAA-S2XX | 3 : 1 | 1 / 1 | 1.0 |

| | |
|---|---|
| 名稱 (TITLE): IO PARTS Enterprise Co., Ltd. | Pin Header P2.54mm Dual Body, Triple Rows, Straight Type |
|---|---|



IO PARTS Enterprise Co., Ltd.