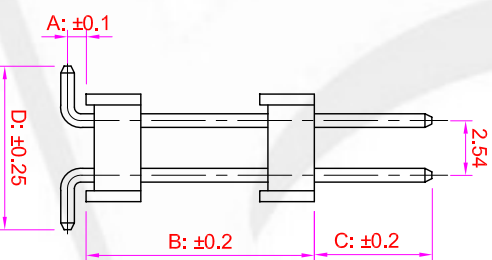
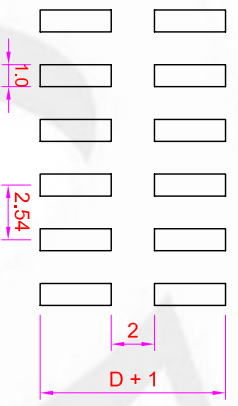
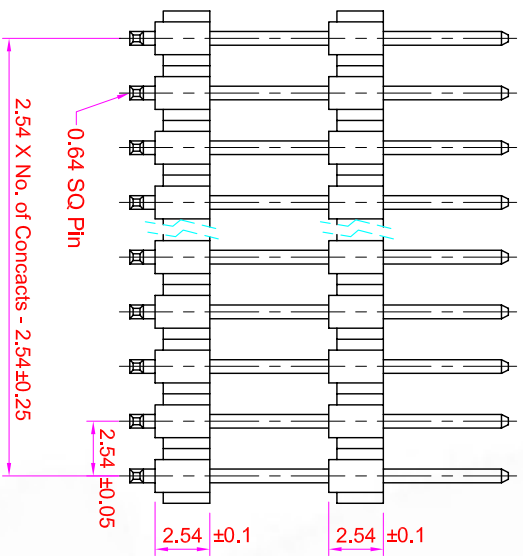
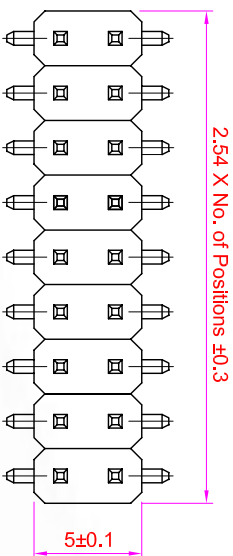


ROHS



Recommended P.C. Board SMD Layout

- Specifications**
- Current Rating : 3 Amps
 - Insulator Resistance : 1000 Megohms min.
 - Contact Resistance : 20 m ohms max.
 - Dielectric Withstanding : AC 600V
 - Operating Temperature : -40°C ~ +105°C
 - Contact Material : Brass
 - Insulator Material : Polyester, UL 94V-0 Nylon-6T
 - Contact Plated : See Option
 - Standard: Full Gold Flash

Order Information

- PHAA - M 2 XX - 0 XX XX - XX
- Serial Type
 - Terminal Type
 - M : SMD Type
 - Row Type
 - 2 : Dual Rows
 - No. of Pin Per Row
 - Post Option
 - 0 : Without Post
 - 1 : With Post
 - Terminal Dim.
 - 01, A=..., B=..., C=..., D=...
 - 02, A=..., B=..., C=..., D=...
 - 03, A=..., B=..., C=..., D=...
 - Contact Plating
 - Cap Option
 - B : Blank
 - P : Plastic Cap
 - Packing Method
 - S : Sample Box
 - T : In Tube

Contact Plating Option	Full Gold Plating	Gold Plating On Contact Area Tin Plating On Solder Area	Full Tin Plating
	GA : Gold Flash GC : Gold 150" GD : Gold 150" GE : Gold 300"	SA : Gold Flash SO : Gold 150" SE : Gold 300"	TA : Tin 1000"

GENERAL TOLERANCE	
X. ± 0.50	X. ° ± 5°
.X ± 0.20	.X ° ± 2°
.XX ± 0.10	.XX ° ± 1°
DATE:2009/07/12	SSV2

單位 (UNIT)	mm	料號 (PART NO.)	PHAA-M2XX-0XXXX-XX
審核 (APPROVAL)	Alice	核對 (CHECKED)	Mary
		製圖 (DRAWING)	Fen-Fen

圖號 (DWG NO.)	PHAA-M2XX
比例 (SCALE)	3:1
圖法 (PROJ.)	第一角
圖號 (DRAWING SHEET)	1/1
圖號 (REV.)	A

弘允企業有限公司
IO PARTS Enterprise Co., Ltd.

名稱 (TITLE): Pin Header Pitch: 2.54 X 2.54mm
H: 2.54mm, Dual Row, Dual Body, SMD Type

Rev	Modification	Date	Validate
-----	--------------	------	----------