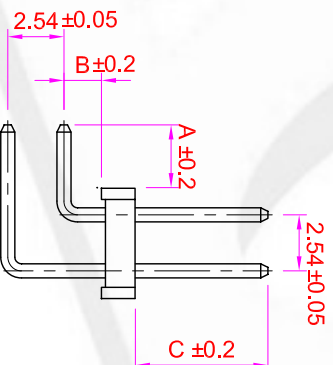
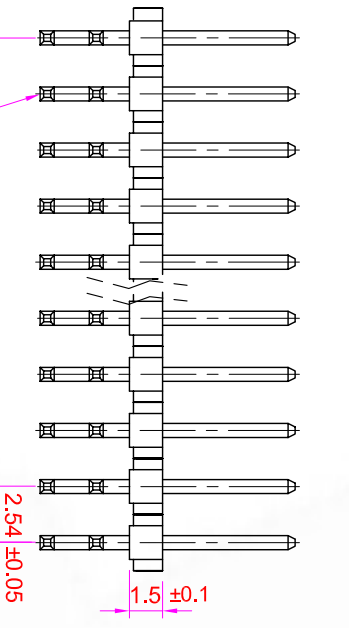
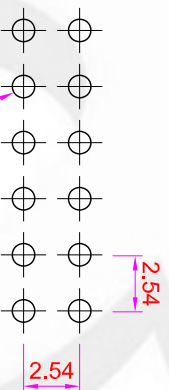
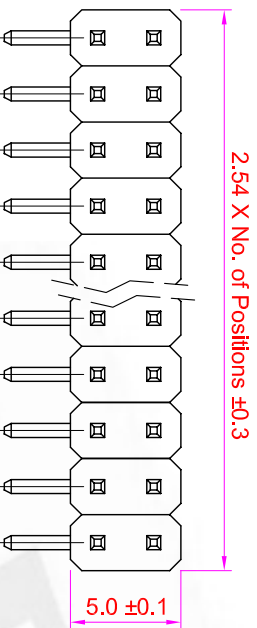


ROHS

**Recommended
P.C. Board Hole Layout**



Specifications

- Current Rating : 3 Amps
- Insulator Resistance : 1000 Megohms min.
- Contact Resistance : 20 m ohms max.
- Dielectric Withstanding : AC 600V
- Operating Temperature : -40° C ~ +105° C
- Contact Material : Brass
- Insulator Material : Polyester, UL 94V-0 Nylon-6T
- Contact Plated : See Option
- Standard: Full Gold Flash

Order Information

PHA2 - R 2 XX - XX XX

- Serial Type _____
- Terminal Type _____
- R : Right Angle Type
- Row Type _____
- 2 : Dual Row

No. of Pin Per Row _____

Terminal Dim. _____

- 01. A=3.0, B=1.5, C=6mm (Standard)
- 02. A=..., B=..., C=...
- 03. A=..., B=..., C=...

Contact Plating _____

Contact Plating Option	Full Gold Plating	Gold Plating On Contact Area Tin Plating On Solder Area	Full Tin Plating
	GA : Gold Flash GC : Gold 10u" GD : Gold 15u" GE : Gold 30u"	SA : Gold Flash SC : Gold 10u" SD : Gold 15u" SE : Gold 30u"	TA : Tin 100u"

GENERAL TOLERANCE		單位 (UNIT)	
X. ± 0.50	.X ° ± 5°	mm	
.X ± 0.20	.X ° ± 2°		
.XX ± 0.10	.XX ° ± 1°	審核 (APPROVAL)	Alice
DATE:20080305	SSV2	校對 (CHECKED)	Mary
		製圖 (DRAWN)	Fen-Fen

料號 (PART NO.)		圖號 (DWG NO.)	
PHA2-R2XX-XXXX		PHA2-R2XX	
比例 SCALE	3:1	縮小	1/1
圖號 REV.	A	圖號 REV.	A

IO PARTS Enterprise Co., Ltd.

名稱 (TITLE): Pin Header Pitch:2.54 X 2.54mm
H:1.5mm, Dual Row, Right Angle, Type

Rev	Modification	Date	Validate