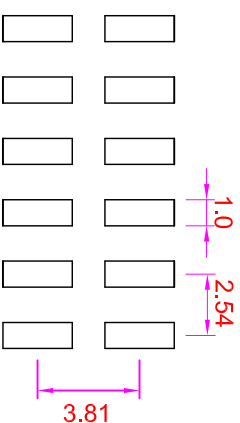
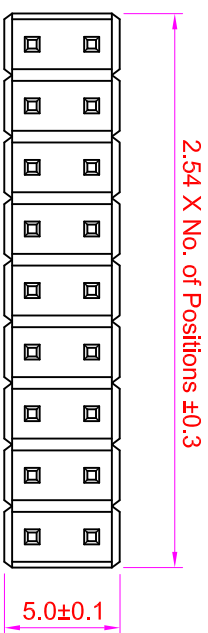


ROHS

Recommended
P.C. Board SMD Layout



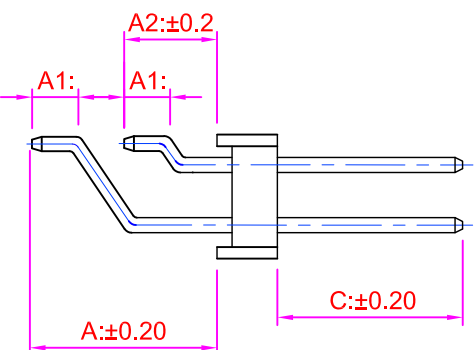
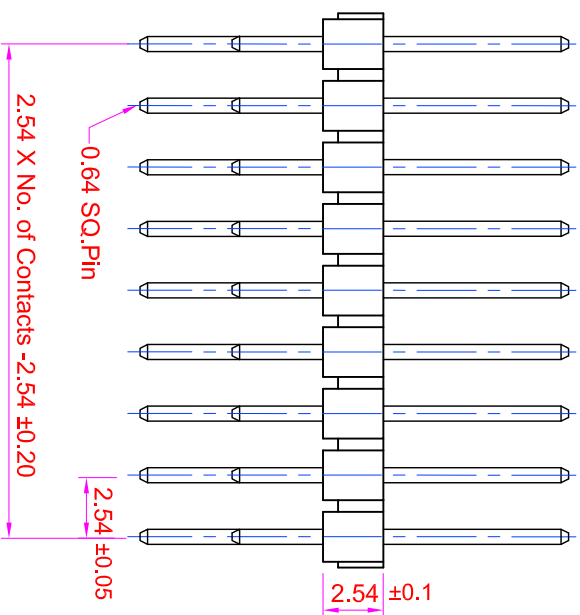
Specifications
 Current Rating : 3 Amps
 Insulator Resistance : 1000 Megohms min.
 Contact Resistance : 20 m ohms max.
 Dielectric Withstanding : AC 600V
 Operating Temperature : -40°C ~ +105°C
 Contact Material : Brass
 Insulator Material : Polyester, UL 94V-0 Nylon-6T
 Contact Plated : See Option
 Standard : Full Gold Flash

Order Information

PHA1 - H 2 XX - 0 XX XX - XX

Serial No. _____
 Terminal Type _____
 H : Horizontal SMD Type
 Row Type _____
 2 : Dual Rows
 No. of Contact Per Row _____
 Post Option _____
 0 : Without Post
 Terminal Dom. _____
 XX: A: ___mm, A1: ___mm, A2:mm, C: ___mm
 Contact Plated _____
 Cap Option _____
 B: Blank (Non Cap)
 P : Plastic Cap
 Packing Method _____
 T: Tube

Contact Plating Option	Full Gold Plating	Gold Plated On Contact Area TIn Plated On Solder Area	Full Tin Plating
GA : Gold Flash GC : Gold 10u" GD : Gold 15u" GE : Gold 30u"	SA : Gold Flash SC : Gold 10u" SD : Gold 15u" SE : Gold 30u"	TA : Tin 100u"	



GENERAL TOLERANCE	
X. ± 0.50	X. ° ± 5°
. X ± 0.20	. X ° ± 2°
. X X ± 0.10	. X X ° ± 1°

單位 (UNIT)	料號 (PART NO.)	檢驗 (CHECKED)	製圖 (DRAWN)
mm	PHA1-H2XX-003-PR	Mary	Fen-Fen
Alice			

圖號 (DWG NO.)	比例 SCALE	張數 SHEET	REV.
PHA1-H2XX	3 : 1	1 / 1	1.0

名稱 (TITLE): **IO PARTS Enterprise Co., Ltd.**
 Pin Header P2.54mm
 Dual Rows, Horizontal SMD Type

DATE:2019/04/30 SUV-1