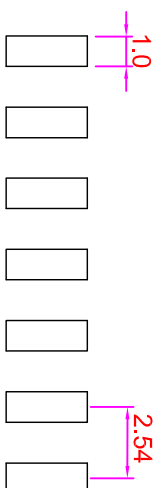
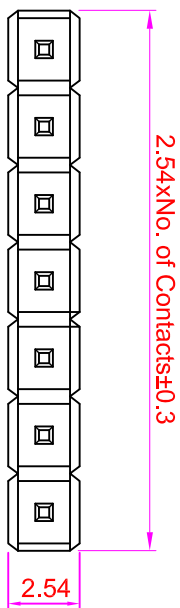


ROHS

Recommended P.C. Board SMD Layout



Rev	Modification	Date	Validate

Specifications

- Current Rating : 3 Amps
- Insulator Resistance : 1000 Megohms min.
- Contact Resistance : 20 m ohms max.
- Dielectric Withstanding : AC 600V
- Operating Temperature : -40°C ~ +105°C
- Contact Material : Brass
- Insulator Material : Polyester, UL 94V-0 Nylon-6T
- Contact Plated : See Option
- Standard: Full Gold Flash

Order Information

PHA1 - H 1 XX - X XX XX - XX

Serial No. _____

Terminal Type _____

H : Horizontal SMD Type

Row Type _____

1 : Single Row

No. of Contact Per Row _____

Post Option _____

0 : Without Post

Terminal Dom. _____

01 : A: _____mm A1: _____mm C: _____mm

Contact Plated _____

Cap Option _____

B : Non Cap

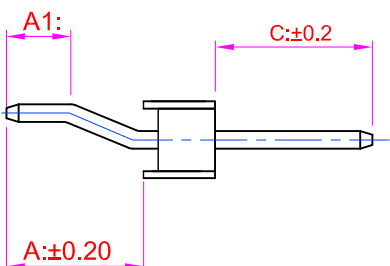
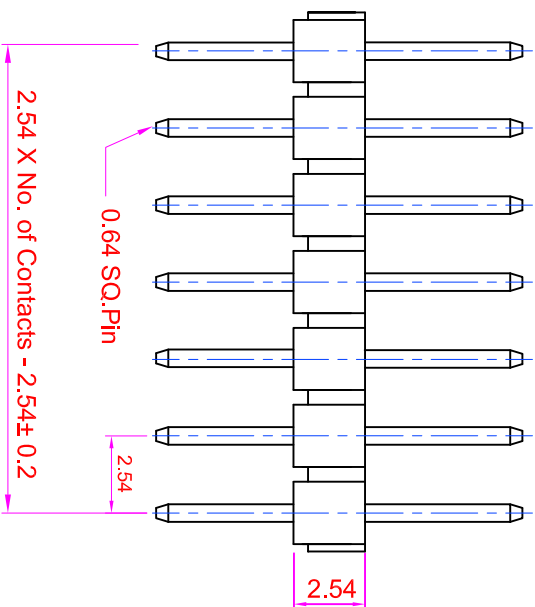
P : Plastic Cap

Packing Method _____

T : Tube

R : Tape & Reel

Contact Plating Option	Full Gold Plating	Gold Plating On Contact Area Tin Plating On Solder Area	Full Tin Plating
GA : Gold Flash GC : Gold 10u" GD : Gold 15u" GE : Gold 30u"	SA : Gold Flash SC : Gold 10u" SD : Gold 15u" SE : Gold 30u"	TA : Tin 100u"	



GENERAL TOLERANCE		單位 (UNIT)		料號 (PART NO.)		圖號 (DWG NO.)	
X. ± 0.50	X. ° ± 5°	mm	mm	PHA1-H1XX-0XXX-XX	PHA1-H1XX	比例 SCALE	3:1
.X X ± 0.20	.X ° ± 2°	Alice	Alice	Mary	Fen-Fen	張數 SHEET	1/1
.X X ± 0.10	.X X ° ± 1°	審核 (APPROVAL)	審核 (CHECKED)	製圖 (DRAWN)	布法 PROJ.	更改 REV.	A
DATE:2019/04/30	SUV-1						

宏允企業有限公司
IO PARTS Enterprise Co., Ltd.
Pin Header P:2.54 X 2.54 mm
H2.54mm, Horizontal SMD Type