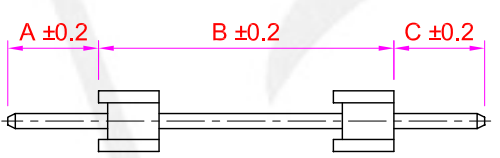
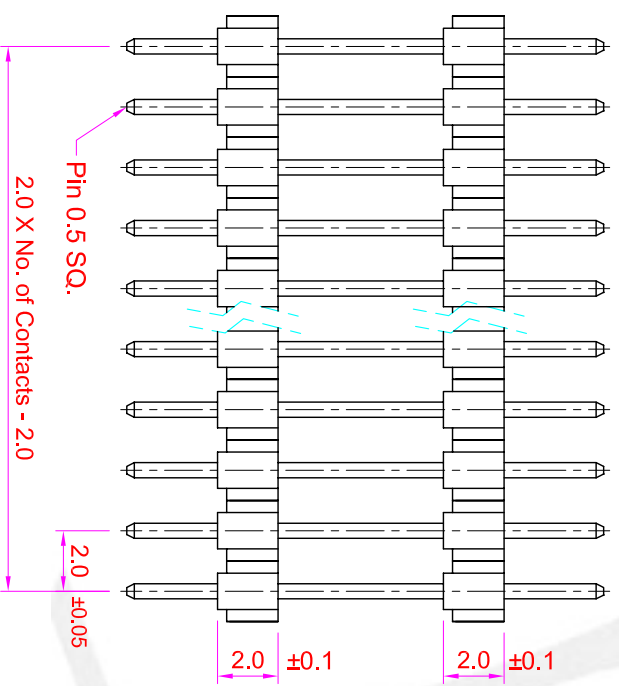
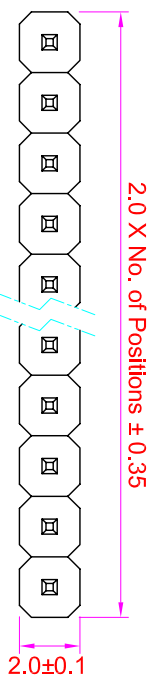


ROHS



**Recommended
P.C. Board Hole Layout**



Specifications

- Current Rating : 2 Amps
- Insulator Resistance : 1000 Megohms min.
- Contact Resistance : 20 m ohms max.
- Dielectric Withstanding : AC 500V
- Operating Temperature : -40° C ~ +105° C
- Contact Material : Brass
- Insulator Material : Polyester, UL 94V-0
- Standard : P.B.T
- Contact Plated : Full Gold, Full Tin, Selective Plated

Order Information

PHBB - S 1 XX - XX XX
 Serial No. _____
 Terminal Type _____
 S : Straight Type
 Row Type _____
 1 : Single Row
 No. of Contact per Row _____
 Terminal Dim. Type _____
 1. A=....., B=....., C=.....
 2. A=....., B=....., C=.....
 3. A=....., B=....., C=.....
 Contact Plated _____

Contact Plating Option	Full Gold Plating	Gold Plating On Contact Area Tin Plating On Solder Area	Full Tin Plating
GA : Gold Flash GC : Gold 10u" GD : Gold 15u" GE : Gold 30u"	SA : Gold Flash SC : Gold 10u" SD : Gold 15u" SE : Gold 30u"	TA : Tin 100u"	

GENERAL TOLERANCE	
X. ± 0.50	X. ° ± 5°
.X ± 0.20	.X ° ± 2°
.XX ± 0.10	.XX ° ± 1°

單位 (UNIT)	料號 (PART NO.)	製圖 (DRAWING)
mm	PHBB-S1XX-XXXX	Fen-Fen

圖號 (DWG NO.)	比例 (SCALE)	圖號 (REV.)
PHBB-S1XX	4 : 1	1 / 1

IO 达允企業有限公司
 IO PARTS Enterprise Co., Ltd.
 Pin Header P2.0mm
 Dual Dody, Single Row, Straight Type

更改 (REV.)	內容 (MODIFICATION)