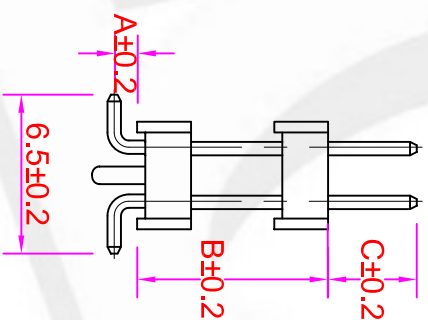
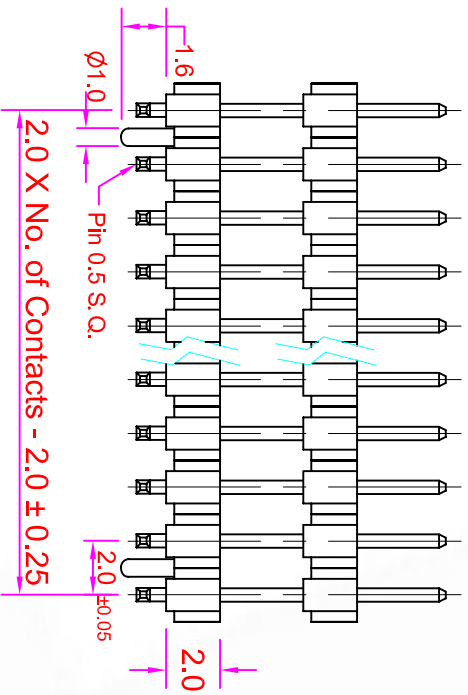
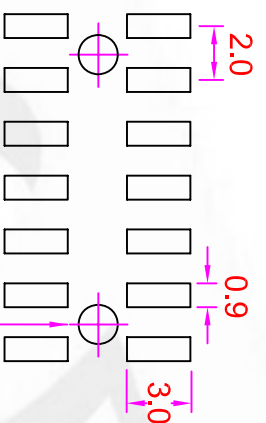
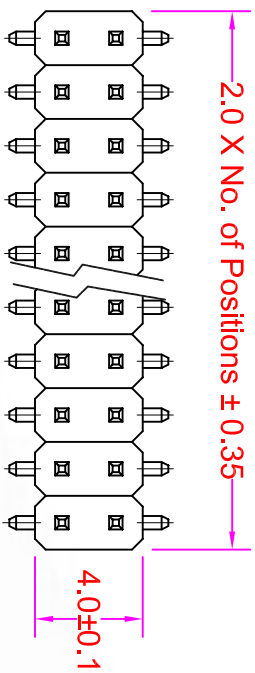


**ROHS**



**Recommended  
P.C. Board SMD Layout**

**Specifications**

- Current Rating : 2 Amps
- Insulator Resistance : 1000 Megohms min.
- Contact Resistance : 20 m ohms max.
- Dielectric Withstanding : AC 500V
- Operating Temperature : -40°C ~ +105°C
- Contact Material : Brass
- Insulator Material : Polyester, UL 94V-0 Nylon-6T
- Contact Plated : See Option

**Order Information**

- PHBB - M 2 XX - 1 X XX - XX
- Serial No. \_\_\_\_\_
- Terminal Type \_\_\_\_\_
- M : SMD Type \_\_\_\_\_
- Row Type \_\_\_\_\_
- No. of Contact per Row \_\_\_\_\_
- Post Option \_\_\_\_\_
- 0 : W/O Peg \_\_\_\_\_
- 1 : W/ Peg \_\_\_\_\_
- Terminal Dim. Type \_\_\_\_\_
- 01, A=....., C=....., D=.....
- Contact Plated \_\_\_\_\_
- Cap Option \_\_\_\_\_
- B : Blank \_\_\_\_\_
- P : Plastic Cap \_\_\_\_\_
- Packing Method \_\_\_\_\_
- T : In Tube \_\_\_\_\_
- R : Tape & Reel \_\_\_\_\_

Contact Plating Option	Full Gold Plating	Gold Plating On Contact Area Thin Plating On Solder Area	Full Tin Plating
GA : Gold Flash GC : Gold 10u" GD : Gold 15u" GE : Gold 30u"	SA : Gold Flash SC : Gold 10u" SD : Gold 15u" SE : Gold 30u"	TA : Tin 1000u"	

GENERAL TOLERANCE	單位 (UNIT)	料號 (PART NO.)	圖號 (DWG NO.)
X. ± 0.50	mm	PHBB-M2XX-1XXX	PHBB-M2XX-1
X. ° ± 5°			
.X ± 0.20			
.X ° ± 2°			
.XX ± 0.10			
.X ° ± 1°			
DATE:2008/03/05			
SLV2			

審核 (APPROVAL)	核對 (CHECKED)	製圖 (DRAWN)	比例 (SCALE)	張數 (SHEET)
Alice	Mary	Fen-Fen	3:1	1/1
			縮法 (PROJ.)	更改 (REV.)
				A

名稱 (TITLE):
Pin Header P:2.0 X 2.0mm H:2.0mm Dual Row, Dual Body SMD Type

**益允企業有限公司**  
IO PARTS Enterprise Co.,Ltd.

