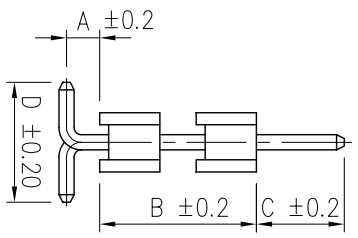
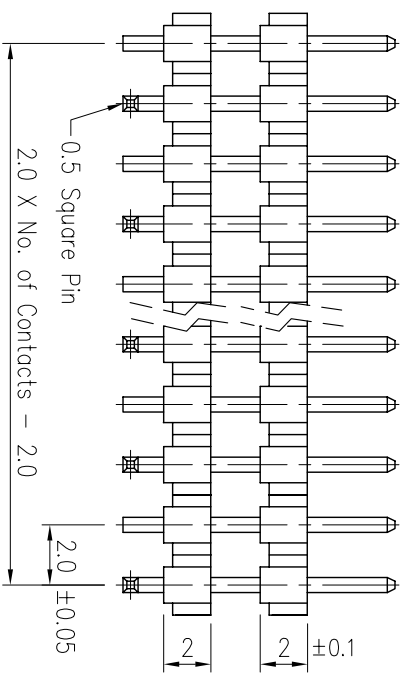
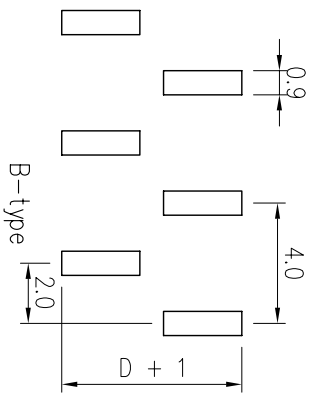
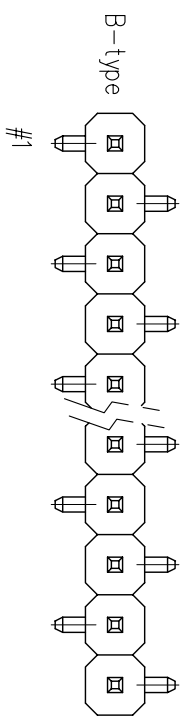
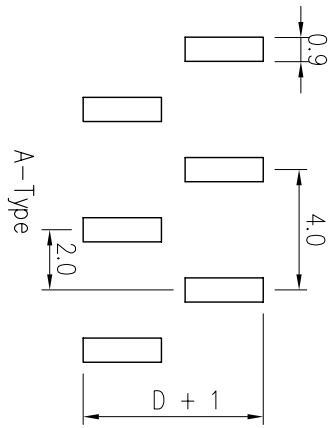
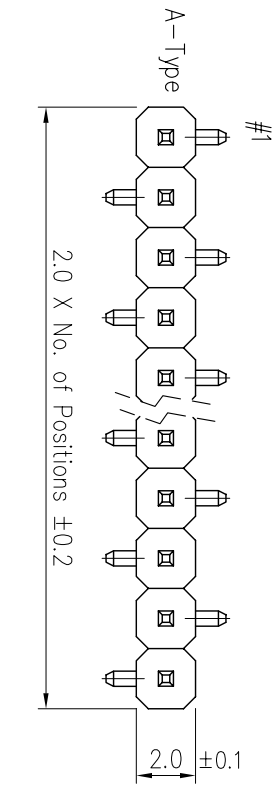


Recommended
P.C. Board Layout



Specifications
 Current Rating : 3 Amps
 Insulator Resistance : 1000 Megohms min.
 Contact Resistance : 20 m ohms max.
 Dielectric Withstanding : AC 600V
 Operating Temperature : -40°C ~ +105°C
 Contact Material : Brass
 Insulator Material : Polyester, UL 94V-0 NY-6T
 Contact Plated : See Option / Standard: Full Gold

Order Information

PHBB - M 1 XX - X X X X X X
 Serial Type
 Terminal Type
 M : SMT Type
 Row Type
 1 : Single Row
 No. of Pin per Row
 Pin Layout Type
 A:A-Type
 B:B-Type
 Terminal Dim.
 1. A=...,B=...,C=...,D=...
 2. A=...,B=...,C=...,D=...
 3. A=...,B=...,C=...,D=...
 Contact Plating
 Cap Option
 B : Blank
 P : Plastic Cap
 Packing Method
 T : In Tube
 R : Tape & Reel

Contact Plating Option	Full Gold Plating	Gold Plating On Contact Area Tin Plating On Solder Area	Full Tin Plating
GA : Gold Flash GC : Gold 10u" GD : Gold 15u" GE : Gold 30u"	SA : Gold Flash SC : Gold 10u" SD : Gold 15u" SE : Gold 30u"	TA : Tin 100u"	

GENERAL TOLERANCE	
X. ± 0.50	X. ° ± 5°
.X ± 0.20	.X ° ± 2°
.X X ± 0.10	.X X ° ± 1°

單位 (UNIT)	料號 (PART NO.)	料號 (CHECKED)	製圖 (DRAWN)
mm	PHBB-M1XX-XXXX	Mary	Fen-Fen

圖號 (DWG. NO.)	圖號 (DWG. NO.)	比例 (SCALE)	張數 (SHEET)
PHBB-M1XX	PHBB-M1XX	3 : 1	1 / 1

IO 允企業有限公司
 IO PARTS Enterprise Co., Ltd.
 名稱 (TITLE) : Pin Header P2.0mm
 Single Row, Dual Body, SMT Type

日期 (DATE)	審核 (APPROVAL)	日期 (DATE)
2007/05/17	Alice	

更改 (REV)	內容 (MODIFICATION)