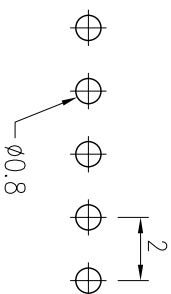
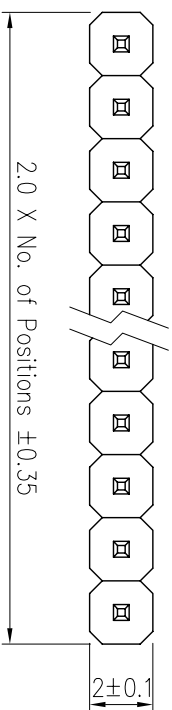


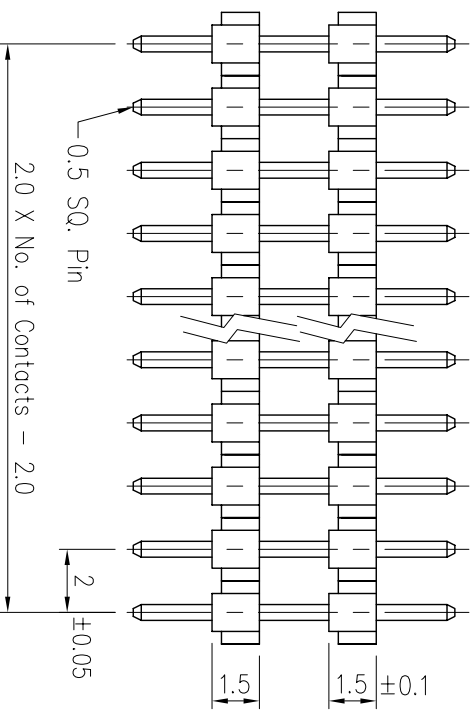
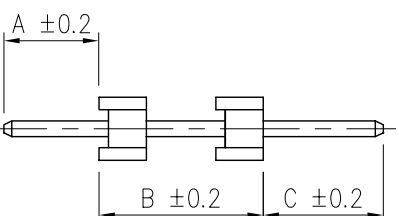
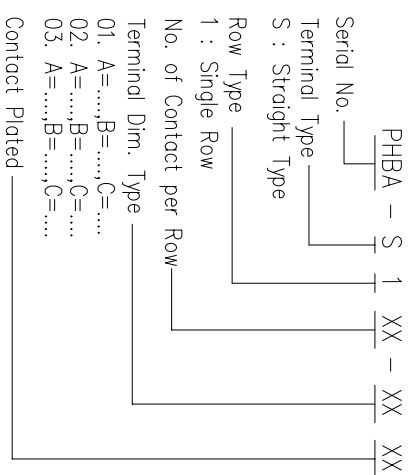
Recommended  
P.C. Boardhole Layout



Specifications

- Current Rating : 2 Amps
- Insulator Resistance : 1000 Megohms min.
- Contact Resistance : 20 m ohms max.
- Dielectric Withstanding : AC 500V
- Operating Temperature : -40°C ~ +105°C
- Contact Material : Brass
- Insulator Material : Polyester, UL 94V-0
- Standard : Nylon-6T
- Contact Plated : See Option / Standard: Full Gold

Order Information



Contact Plating Option	Full Gold Plating	Gold Plating On Contact Area Tin Plating On Solder Area	Full Tin Plating
	GA : Gold Flash GC : Gold 10u" GD : Gold 15u" GE : Gold 30u"	SA : Gold Flash SC : Gold 10u" SD : Gold 15u" SE : Gold 30u"	TA : Tin 100u"

GENERAL TOLERANCE		單位 (UNIT)	料號 (PART NO.)	圖號 (DWG. NO.)	名稱 (TITLE):
X. ± 0.50	X. ± 5°	mm	PHBA-S1XX-XXXX	PHBA-S1XX	Pin Header P2.0mm
.X ± 0.20	.X ± 2°		核對 (CHECKED)	比例 SCALE	Pin Header P2.0mm
.X X ± 0.10	.X X ± 1°		Mary	4 : 1	Pin Header P2.0mm
日期 (DATE)	2007/03/29		製圖 (DRAWN)	張數	Single Row, Dual Body Straight Type
			Fen-Fen	1 / 1	
			Alice	更改 SHEET	
				REV.	
				1.0	