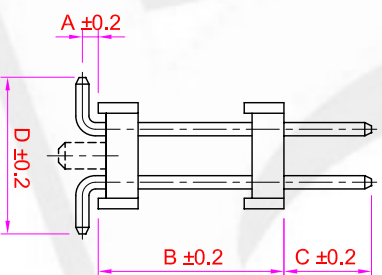
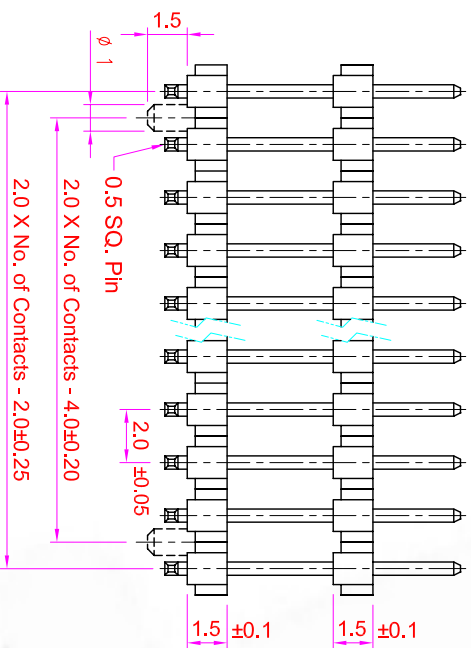
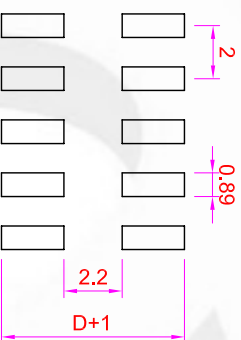
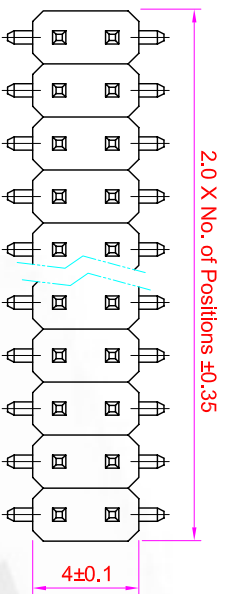




**Recommended  
P.C. Board SMD Layout**



Rev	Modification	Date	Validate

**Specifications**

- Current Rating : 2 Amps
- Insulator Resistance : 1000 Megohms min.
- Contact Resistance : 20 m ohms max.
- Dielectric Withstanding : AC 500V
- Operating Temperature : -40° C ~ +105° C
- Contact Material : Brass
- Insulator Material : Polyester, UL 94V-0 Nylon-6T
- Contact Plated : See Option
- Standard: Full Gold Flash

**Order Information**

- PHBA - M 2 XX - X XX XX - X X
- Serial No. \_\_\_\_\_
- Terminal Type \_\_\_\_\_
- M : SMD Type
- Row Type \_\_\_\_\_
- 2 : Dual Row
- No. of Contact Per Row \_\_\_\_\_
- Post Option \_\_\_\_\_
- 0 : W/O Peg
- 1 : W/ Peg
- Terminal Dim. Type \_\_\_\_\_
- 1. A=..... B=..... C=..... D=.....
- 2. A=..... B=..... C=..... D=.....
- 3. A=..... B=..... C=..... D=.....
- Contact Plated \_\_\_\_\_
- Cap Option \_\_\_\_\_
- B : Blank
- P : Plastic Cap
- Packing Method \_\_\_\_\_
- T : In Tube
- R : Tape & Reel

Contact Plating Option	Full Gold Plating	Gold Plating On Contact Area Tm Plating On Solder Area	Full Tm Plating
GA : Gold Flash GC : Gold 10u" GD : Gold 15u" GE : Gold 30u"	SA : Gold Flash SC : Gold 10u" SD : Gold 15u" SE : Gold 30u"	TA : Tm 100u"	

GENERAL TOLERANCE		單位 (UNIT)	料號 (PART NO.)	圖號 (DWG NO.)	比例 (SCALE)	圖號 (DWG NO.)	圖號 (DWG NO.)	圖號 (DWG NO.)
X. ± 0.50	X. ° ± 5°	mm	PHBA-M2XX-1XXXX-XX	PHBA-M2XX-1	3:1	PHBA-M2XX-1	PHBA-M2XX-1	PHBA-M2XX-1
.X ± 0.20	.X ° ± 2°	mm	PHBA-M2XX-1XXXX-XX	PHBA-M2XX-1	3:1	PHBA-M2XX-1	PHBA-M2XX-1	PHBA-M2XX-1
.XX ± 0.10	.XX ° ± 1°	mm	PHBA-M2XX-1XXXX-XX	PHBA-M2XX-1	3:1	PHBA-M2XX-1	PHBA-M2XX-1	PHBA-M2XX-1
DATE:20080305	SSVZ	Alice	Mary	Fen-Fen	PROJ.	REV.	REV.	REV.



Pin Header P:2.0 X 2.0mm  
H:2.0mm, Dual Row, Dual Body, Straight Type