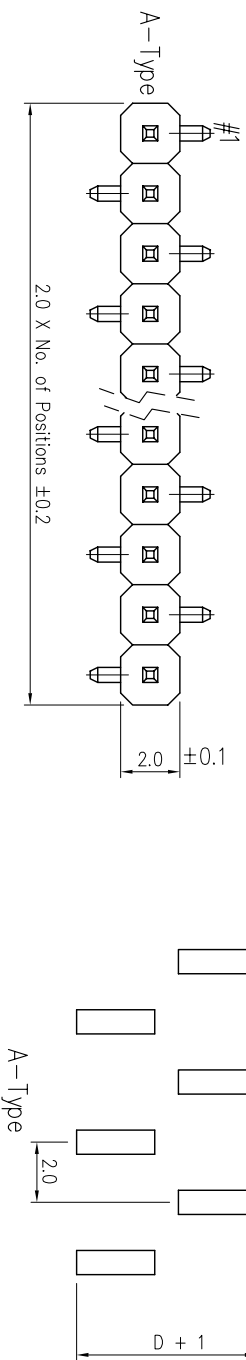
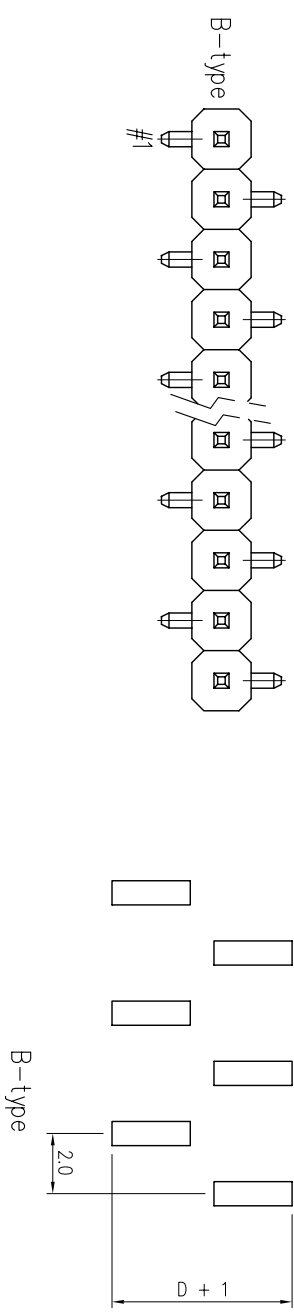


Recommended
P.C. Board Layout

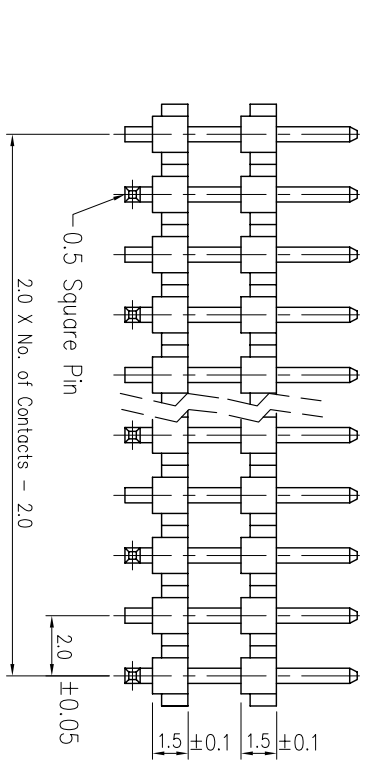


- Specifications**
- Current Rating : 3 Amps
 - Insulator Resistance : 1000 Megohms min.
 - Contact Resistance : 20 m ohms max.
 - Dielectric Withstanding : AC 600V
 - Operating Temperature : -40°C ~ +105°C
 - Contact Material : Brass
 - Insulator Material : Polyester, UL 94V-0 NY-6T
- Contact Plated : Full Gold, Full Tin, Selective Plated

Order Information



- PHBA - M 1 XX - X X XX - X X
- Serial Type _____
- Terminal Type _____
- M : SMT Type _____
- Row Type _____
- 1 : Single Row _____
- No. of Pin per Row _____
- Pin Layout Type _____
- A:A-Type _____
- B:B-Type _____
- Terminal Dim. _____
1. A=...,B=...,C=...,D=....
 2. A=...,B=...,C=...,D=....
 3. A=...,B=...,C=...,D=....
- Contact Plating _____
- Cap Option _____
- B : Blank _____
- P : Plastic Cap _____
- Packing Method _____
- T : In Tube _____
- R : Tape & Reel _____



Contact Plating Option	Full Gold Plating	Gold Plating On Contact Area Tin Plating On Solder Area	Full Tin Plating
	GA : Gold Flash GC : Gold 10u" GD : Gold 15u" GE : Gold 30u"	SA : Gold Flash SC : Gold 10u" SD : Gold 15u" SE : Gold 30u"	TA : Tin 100u"

GENERAL TOLERANCE	
X . ± 0.50	X . ± 5 *
. X ± 0.20	. X ± 2 *
. X X ± 0.10	. X X ± 1 *

單位 (UNIT)	mm
料號 (PART NO.)	PHBA-M1XX-XXXX
審核 (APPROVAL)	Alice
核對 (CHECKED)	Mary
製圖 (DRAWN)	Fen-Fen

圖號 (DWG NO.)	PHBA-M1XX
比 例 (SCALE)	3 : 1
角 法 (PROJ.)	第一角
縮 尺 (RED.)	1.0

IO 宏 允 企 業 有 限 公 司
IO PARTS Enterprise Co., Ltd.

名稱 (TITLE) : Pin Header P2,0mm
H: 1.5mm Single Row, Dual Body, SMT Type

日期 (DATE) : 2007/06/01