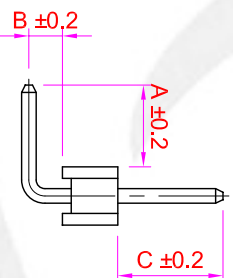
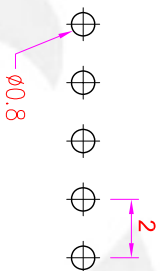
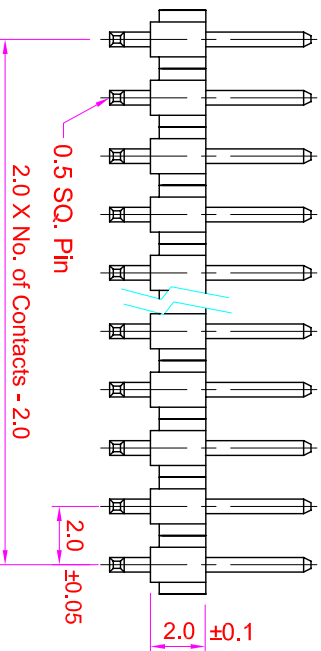
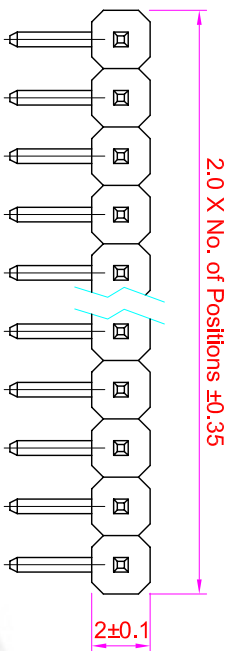


**ROHS**



**Recommended  
P.C. Board Hole Layout**

**Specifications**  
 Current Rating : 2 Amps  
 Insulator Resistance : 1000 Megohms min.  
 Contact Resistance : 20 m ohms max.  
 Dielectric Withstanding : AC 500V  
 Operating Temperature : -40°C ~ +105°C  
 Contact Material : Brass  
 Insulator Material : Polyester, UL 94V-0 P.B.T.  
 Contact Plated : See Option  
 Standard: Full Gold Flash

**Order Information**

PHB2 - R 1 XX - XX XX  
 Serial No. \_\_\_\_\_  
 Terminal Type \_\_\_\_\_  
 R : Right Angle Type  
 Row Type \_\_\_\_\_  
 1 : Single Row  
 No. of Contact per Row \_\_\_\_\_  
 Terminal Dim. Type \_\_\_\_\_  
 01. A=2.8, B=1.15, C= 4.0(Standard)  
 02. A=....., B=....., C=.....  
 03. A=....., B=....., C=.....  
 Contact Plated \_\_\_\_\_

Full Gold Plating	Gold Plating On Contact Area	Full Tin Plating
Contact Plating Option	Tin Plating On Solder Area	
GA : Gold Flash	SA : Gold Flash	TA : Tin 100u"
GC : Gold 10u"	SD : Gold 15u"	
GE : Gold 30u"	SE : Gold 30u"	

GENERAL TOLERANCE		單位 (UNIT)	料號 (PART NO.)	圖號 (DWG NO.)	比例 (SCALE)		圖號 (DRAWING)	圖號 (DWG NO.)	圖號 (DWG NO.)	圖號 (DWG NO.)
X. ± 0.50	X. ° ± 5°	mm	PHB2-R1XX-XXXX	PHB2-R1XX	3:1	3:1	Fen-Fen	PHB2-R1XX	PHB2-R1XX	PHB2-R1XX
. X ± 0.20	. X ° ± 2°		審核 (CHECKED)	審核 (CHECKED)	1/1	1/1	Mary	Mary	Mary	Mary
. X X ± 0.10	. X X ° ± 1°	Alice	審核 (APPROVAL)	審核 (APPROVAL)	A	A	Alice	Alice	Alice	Alice
DATE:2009/07/01	REV:2	DATE:2009/07/01	DATE:2009/07/01	DATE:2009/07/01	DATE:2009/07/01	DATE:2009/07/01	DATE:2009/07/01	DATE:2009/07/01	DATE:2009/07/01	DATE:2009/07/01

