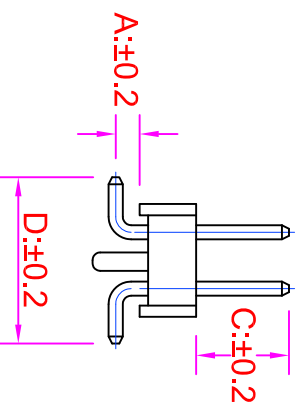
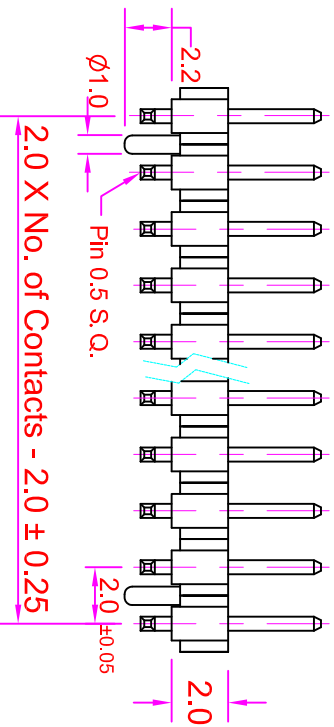
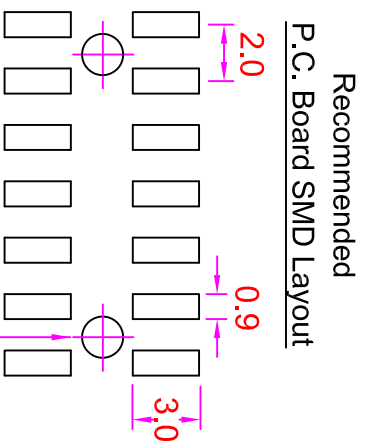
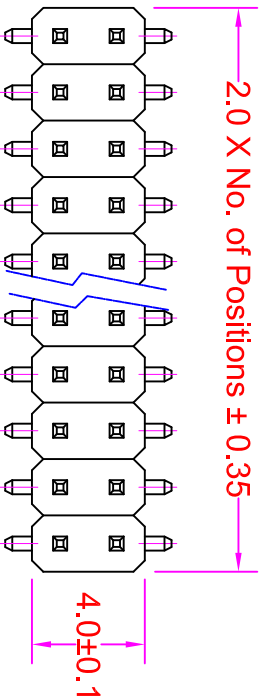


ROHS



Rev	Modification	Date	Validate
9			

Specifications

Current Rating : 2 Amps
Insulator Resistance : 1000 Megohms min.
Contact Resistance : 20 m ohms max.
Dielectric Withstanding : AC 500V
Operating Temperature : -40°C ~ +105°C
Contact Material : Brass
Insulator Material : Polyester, UL 94V-0 Nylon-6T
Contact Plated : See Option
Standard: Full Gold Flash

Order Information

PHB2 - M 2 XX - 1 XX XX - XX
 Serial No. _____
 Terminal Type _____
 M : SMT Type _____
 Row Type _____
 2 : Dual Row _____
 No. of Contact per Row _____
 Post Option _____
 0 : W/O Post _____
 1 : W/ Post _____
 Terminal Dim. Type _____
 01, A=....., C=....., D=....
 Contact Plated _____
 Cap Option _____
 B : No Cap _____
 P : Plastic Cap _____
 Packing Method _____
 T : In Tube _____
 R : Tape & Reel _____

Contact Plating Option	Full Gold Plating	Gold Plating On Contact Area Tin Plating On Solder Area	Full Tin Plating
GA : Gold Flash GC : Gold 10u" GD : Gold 15u" GE : Gold 30u"	SA : Gold Flash SC : Gold 10u" SD : Gold 15u" SE : Gold 30u"	TA : Tin 100u"	

GENERAL TOLERANCE		單位 (UNIT)	料號 (PART NO.)	圖號 (DWG. NO.)	比例 SCALE	圖號 (DWG. NO.)	圖號 (DWG. NO.)
X. ± 0.50	X. ° ± 5°	mm	PHB2-M2XX-1XXXX	PHB2-M2XX-1	3:1	PHB2-M2XX-1	PHB2-M2XX-1
.X ± 0.20	.X ° ± 2°						
.XX ± 0.10	.XX ° ± 1°						
DATE:2008/03/05	SIZE						

審核 (APPROVAL)	校對 (CHECKED)	製圖 (DRAWN)	比例 SCALE	圖號 (DWG. NO.)	圖號 (DWG. NO.)	圖號 (DWG. NO.)
Alice	Mary	Fen-Fen	3:1	PHB2-M2XX-1	PHB2-M2XX-1	PHB2-M2XX-1

宏允企業有限公司
IO PARTS Enterprise Co., Ltd.
 Pin Header P:2.0 X 2.0mm
 H:2.0mm Dual Row, SMD Type