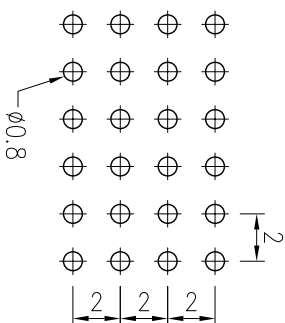
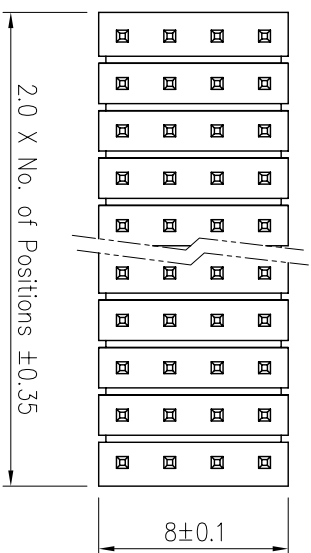


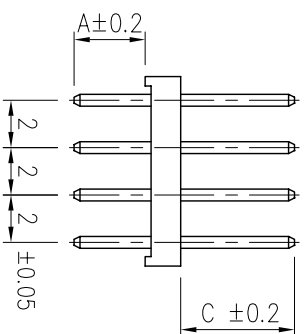
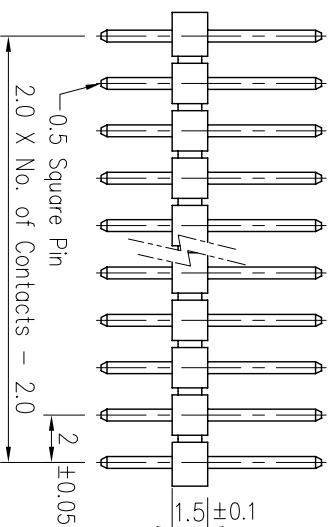
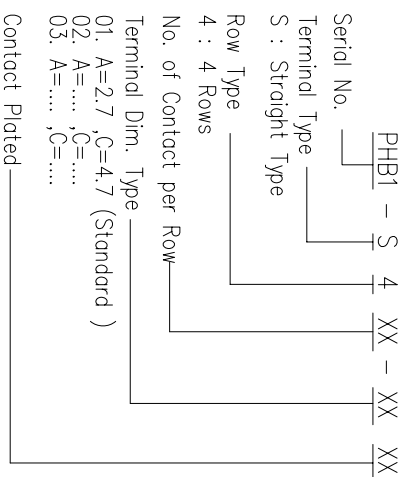
Recommended
P.C. Board Hole Layout



Specifications

- Current Rating : 2 Amps
- Insulator Resistance : 1000 Megohms min.
- Contact Resistance : 20 m ohms max.
- Dielectric Withstanding : AC 500V
- Operating Temperature : -40°C ~ +105°C
- Contact Material : Brass
- Insulator Material : Polyester, UL 94V-0
- Standard : Nylon-6T
- Contact Plated : See Option / Standard: Full Gold,

Order Information



Contact Plating Option	Full Gold Plating	Gold Plating On Contact Area Tin Plating On Solder Area	Full Tin Plating
GA : Gold Flash GC : Gold 10u" GD : Gold 15u" GE : Gold 30u"	SA : Gold Flash SC : Gold 10u" SD : Gold 15u" SE : Gold 30u"	TA : Tin 100u"	

GENERAL TOLERANCE		單位 (UNIT)	料號 (PART NO.)	圖號 (DWG. NO.)	名稱 (TITLE):
X . ± 0.50	X . ± 5 .	mm	PHB1-S4XX-XXXX	PHB1-S4XX	Pin Header P2.0mm H:1.5
. X ± 0.20	. X ± 2 .		核對 (CHECKED)	比例 SCALE	Pin Header P2.0mm H:1.5
. X X ± 0.10	. X X ± 1 .		Alice	圖法 PROJ.	4 Rows, Straight Type
日期 (DATE)	2007/08/09		Mary	更改 SHEET REV.	
			Fen-Fen	張數 1 / 1	
				1.0	