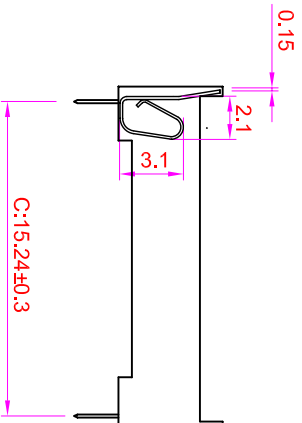
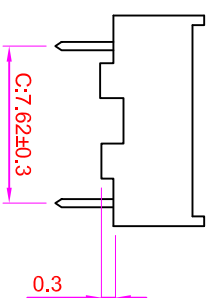
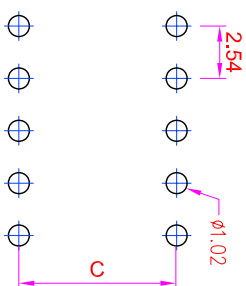


ROHS

**Recommended
P.C. Board Hole Layout**



Specifications
 Current Rating : 1 Amp
 Insulator Resistance : 1000 Megohms min.
 Contact Resistance : 15 m ohms max.
 Operating Temperature : -40°C ~ +105°C
 Contact Material : Phosphor Bronze
 Insulator Material : Polyester, UL 94V-0 P.B.T
 Contact Plated : Tin Plating

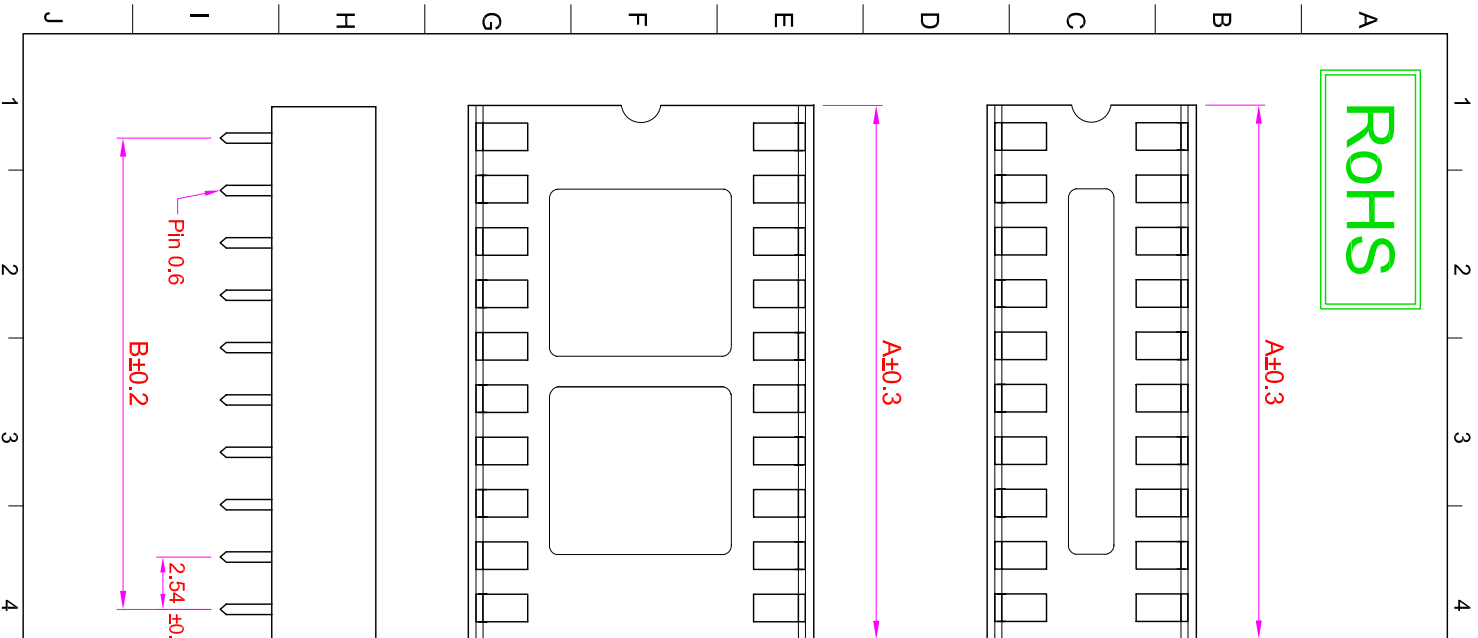
Order Information

ICS1 - XX - X X TA

- Serial No. _____
- No. of Contact _____
- 08P~64P
- Spacing _____
- 3.0.3" (7.62mm)
- 06P.08P.14P.16P.18P
- 20P.22P.24P.28P.32P
- 6:0.6" (15.24mm)
- 24P.28P.32P.40P.42P.48P
- 9:0.9" (23.00mm)
- 64P


Bar option _____
 0:W/O Bar (From 8P to 24P)
 1:W/ Bar (From 24P to 64P)
 Contact Plated _____
 TA: Tin Plating

Pin No.	A	B	C
8.00	10.16	7.62	
14.00	17.78	15.24	
16.00	20.32	17.78	
18.00	22.86	20.32	
20.00	25.40	22.86	7.62
22.00	27.94	25.40	
24.00	30.48	27.94	
28.00	35.56	33.02	
24.00	30.48	27.94	
28.00	35.56	33.02	
32.00	40.64	38.10	
40.00	50.80	48.26	15.24
42.00	53.34	50.80	
48.00	60.96	58.42	
64.00	81.28	78.74	22.86



GENERAL TOLERANCE		單位 (UNIT)
X. ± 0.50	X. ° ± 5°	mm
.X ± 0.20	.X ° ± 2°	
.XX ± 0.10	.XX ° ± 1°	
DATE:20100604	SHZ	

圖號 (PART NO.)	圖號 (DWG NO.)	比例 (SCALE)	張數 (SHEET)
ICS1-XX-XXTA	ICS1-0X	3:1	1/1
審核 (APPROVAL)	製圖 (DRAWN)	圖章 (PRO.)	圖章 (REV.)
Alice	Fen-Fen		B
校對 (CHECKED)	比例 (SCALE)	圖章 (PRO.)	圖章 (REV.)
Mary	3:1		


IO PARTS ENTERPRISE CO., LTD.
 IC Socket P2.54mm
 Straight Dip Type