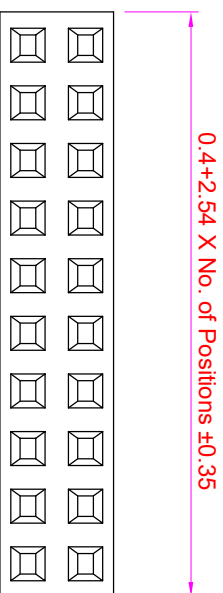
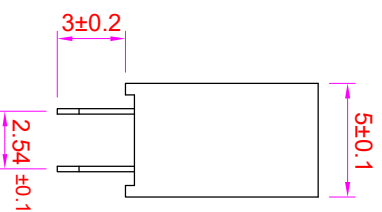
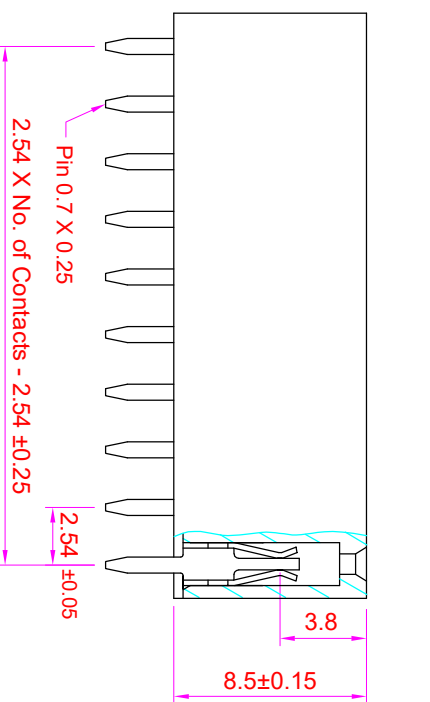
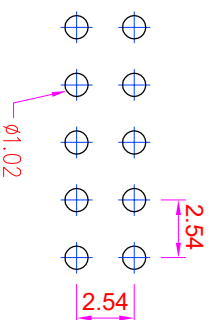


ROHS



**Recommended
P.C. Board Hole Layout**

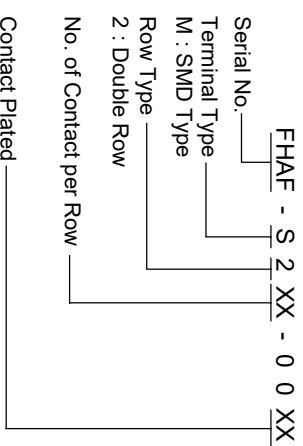


Rev	Modification	Date	Drawn
B	Revised the terminal length (contact area)	2010.12.01	Fen-Fen

Specifications

- Current Rating : 3 Amps
- Insulator Resistance : 1000 Megohms min.
- Contact Resistance : 20 m ohms max.
- Dielectric Withstanding : AC 600V
- Operating Temperature : -40°C ~ +105°C
- Contact Material : Phosphor Bronze
- Insulator Material : Polyester, UL 94V-0 Nylon-9T
- Contact Plated : See Option
- Standard: Full Gold Flash

Order Information



Contact Plating Option	Full Gold Plating	Gold Plating On Contact Area Tin Plating On Solder Area	Full Tin Plating
GA : Gold Flash GC : Gold 10u" GD : Gold 15u" GE : Gold 30u"	SA : Gold Flash SC : Gold 10u" SD : Gold 15u" SE : Gold 30u"	TA : Tin 100u"	

GENERAL TOLERANCE		單位 (UNIT)		料號 (PART NO.)		圖號 (DWG NO.)		名稱 (TITLE)	
X ± 0.50	X ° ± 5°	mm	mm	FHAF-S2XX-00XX	FHAF-S2XX	3:1	1/1	埃允企業有限公司 IO PARTS Enterprise Co., Ltd.	
X ± 0.20	X ° ± 2°	Alice	Alice	(CHECKED) Mary	(DRAWN) Fen-Fen	3:1	B	Female Header P2.54mm Profile : 8.5mm, Dual Row, Straight Type	
X X ± 0.10	X X ° ± 1°	SCM1	SCM1			PROJ			
DATE:2010.12.01									