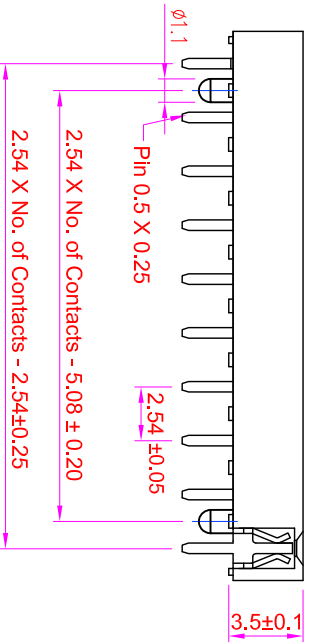
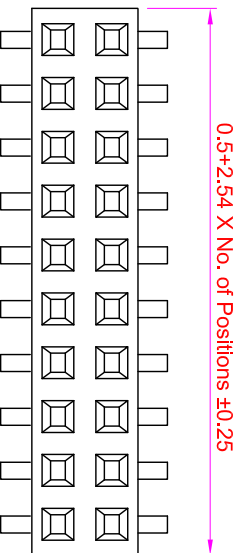
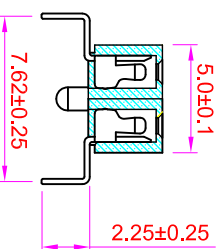
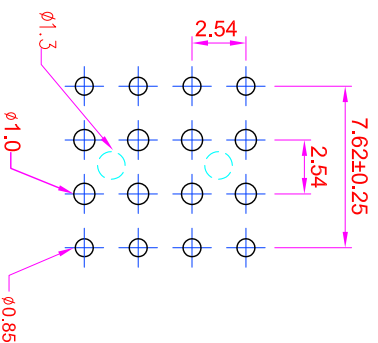


ROHS



Recommended P.C. Board Hole Layout



- Specifications**
- Current Rating : 3 Amps
 - Insulator Resistance : 1000 Megohms min.
 - Contact Resistance : 20 m ohms max.
 - Dielectric Withstanding : AC 600V
 - Operating Temperature : -40°C ~ +105°C
 - Contact Material : Phosphor Bronze
 - Insulator Material : Polyester, UL 94V-0 Nylon-9T
 - Standard: Full Gold Flash

Order Information

- FHAE - S 2 XX - 1 X XX -N
- Serial No. _____
 - Terminal Type _____
 - S : Straight Type
 - Row Type _____
 - 2 : Dual Row
 - No. of Contact Per Row _____
 - Post Option _____
 - 1: with Post
 - Pin Type _____
 - 3: D=7.62mm
 - Contact Plated _____
 - Insulator Option _____
 - N: NY9T

Contact Plating Option	Full Gold Plating	Gold Plating On Contact Area Tin Plating On Solder Area	Full Tin Plating
	GA : Gold Flash GC : Gold 10u" GD : Gold 15u" GE : Gold 30u"	SA : Gold Flash SC : Gold 10u" SD : Gold 15u" SE : Gold 30u"	TA : Tin 100u"

GENERAL TOLERANCE		單位 (UNIT)	料號 (PART NO.)	視圖 (DRAWN)	圖號 (DWG. NO.)	比例	張數	名稱 (TITLE):
X. ± 0.50	X. ° ± 5°	mm	FHAE-S2XX-N3GA	Fen-Fen	FHAE-S2XX-N3GA	3:1	1/1	IO PARTS Enterprise Co., Ltd.
.X ± 0.20	.X ° ± 2°	Alice	Mary			SCALE	SHEET	Female Header P-2.54 X 2.54mm
.XX ± 0.10	.XX ° ± 1°					角法	更改	Profile : 3.5mm, Bottom Entry Type, Dual Row
DATE:2020/02/05	SCM1					PROJ.	REV.	
							A	

允允企業有限公司
IO PARTS Enterprise Co., Ltd.