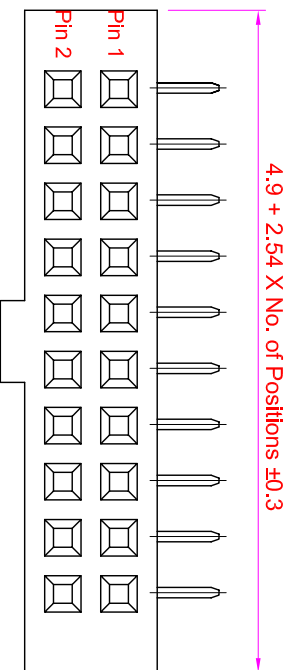
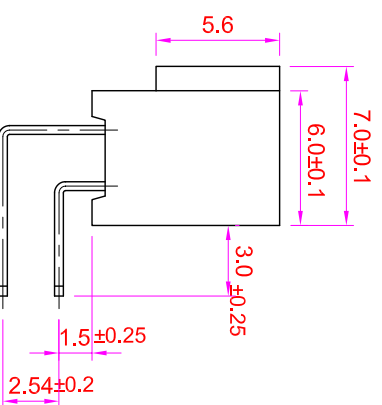
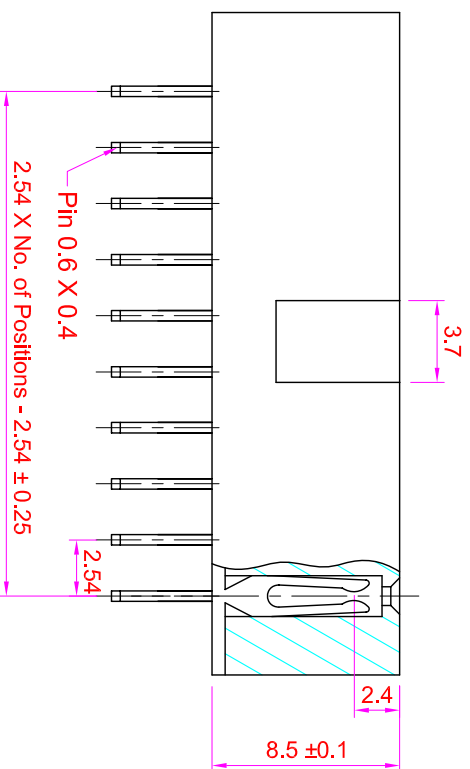
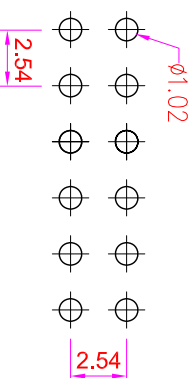


ROHS



**Recommended
P.C. Board Hole Layout**



- Specifications**
- Current Rating : 3 Amps
 - Insulator Resistance : 1000 Megohms min.
 - Contact Resistance : 20 m ohms max.
 - Dielectric Withstanding : AC 600V
 - Operating Temperature : -40°C ~ +105°C
 - Contact Material : Brass
 - Insulator Material : Polyester, UL 94V-0 P.B.T.
 - Contact Plated : See Option
 - Standard: Full Gold Flash

Order Information

FHAD - R 2 XX - 1 0 XX - X

- Serial Type
- Terminal Type
- R : Right Angle Type
- Row Type
- 2 : Dual Row
- No. of Pin Per Row
- Polarization Option
- 0 : Without Polarization Bump
- 1 : With Polarization Bump
- Contact Plating
- Insulator Option
- Blank : P.B.T. (Standard)
- N : Nylon-6T

Contact Plating Option	Full Gold Plating	Gold Plating On Contact Area Tin Plating On Solder Area	Full Tin Plating
GA : Gold Flash GC : Gold 10u" GD : Gold 15u" GE : Gold 30u"	SA : Gold Flash SC : Gold 10u" SD : Gold 15u" SE : Gold 30u"	TA : Tin 100u"	

GENERAL TOLERANCE		單位 (UNIT)	
X. ± 0.50	X. ° ± 5°	mm	
.X ± 0.20	.X ° ± 2°		
.XX ± 0.10	.XX ° ± 1°	Alice	
DATE:2009/04/08	SCM1		

料號 (PART NO.)	審核 (CHECKED)	製圖 (DRAWN)
FHAD-R2XX-01XX-X	Mary	Fen-Fen

圖號 (DWG NO.)	比例 (SCALE)	張數 (SHEET)	圖法 (PROJ.)
FHAD-R2XX	3:1	1/1	B

宏允企業有限公司
IO PARTS Enterprise Co., Ltd.

名稱 (TITLE): Female Header P2.54 X 2.54mm
Profile: 8.5mm, Dual Row, Right Angle Type