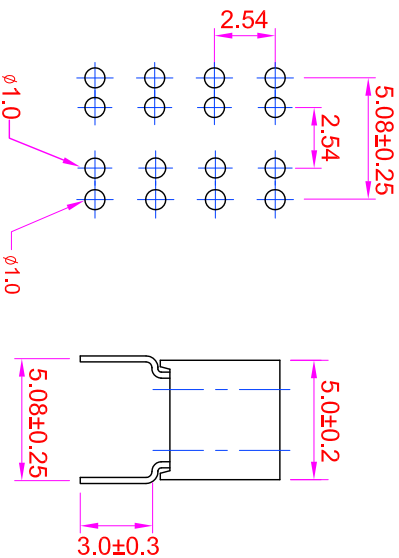
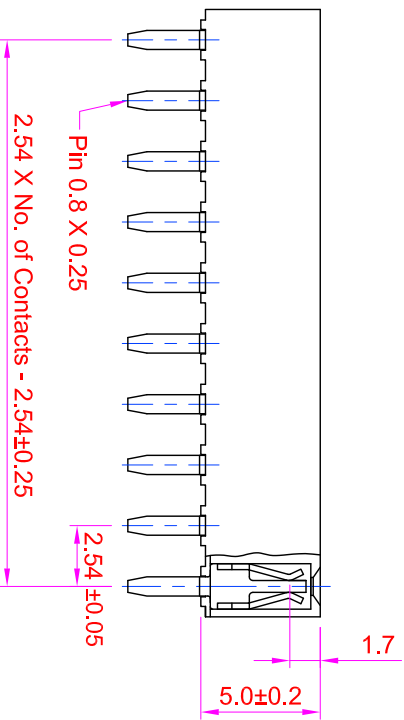
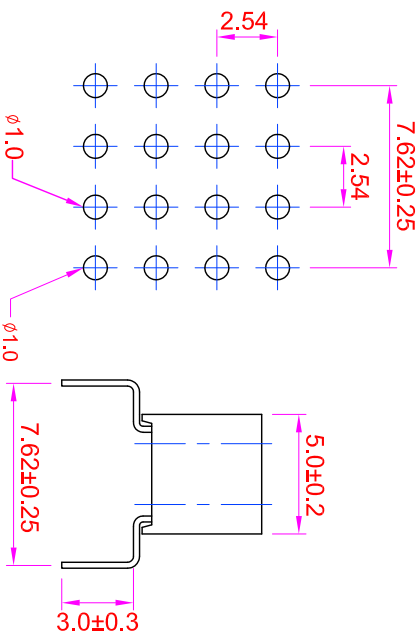
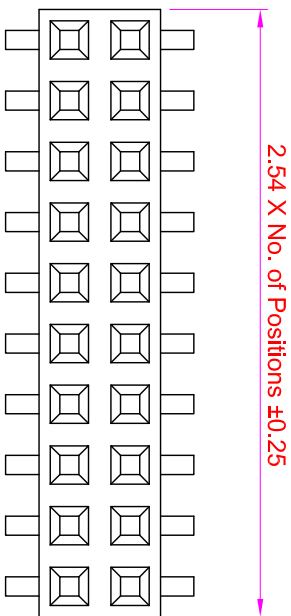


# ROHS

## Recommended P.C. Board Hole Layout



**Specifications**  
 Current Rating : 3 Amps  
 Insulator Resistance : 1000 Megohms min.  
 Contact Resistance : 20 m ohms max.  
 Dielectric Withstanding : AC 600V  
 Operating Temperature : -40°C ~ +105°C  
 Contact Material : Phosphor Bronze  
 Insulator Material : Polyester, UL 94V-0 Nylon-9T  
 Contact Plated : See Option  
 Standard: Full Gold Flash

### Order Information

FHA9 - S 2 XX - 0 X XX

Serial No. \_\_\_\_\_  
 Terminal Type \_\_\_\_\_  
 S : Straight Type  
 Row Type \_\_\_\_\_  
 2 : Dual Row  
 No. of Contact Per Row \_\_\_\_\_  
 Pin Type \_\_\_\_\_  
 2: D=5.08mm  
 3: D=7.62mm  
 Contact Plated \_\_\_\_\_

Contact Plating	Full Gold Plating	Gold Plating On Contact Area Tin Plating On Solder Area	Full Tin Plating
Option	GA : Gold Flash GC : Gold 10u" GD : Gold 15u" GE : Gold 30u"	SA : Gold Flash SC : Gold 10u" SD : Gold 15u" SE : Gold 30u"	TA : Tin 100u"

GENERAL TOLERANCE		單位 (UNIT)	料號 (PART NO.)	圖號 (DWG NO.)
X. ± 0.50	X. ° ± 5°	mm	FHA9-S2XX-0XXX-X	FHA9-S2XX
.X ± 0.20	.X ° ± 2°	審核 (APPROVAL)	檢製 (CHECKED)	比例 SCALE
.XX ± 0.10	.XX ° ± 1°	Alice	Mary	3:1
DATE:2011/05/17	SCM1	Fen-Fen	製圖 (DRAWN)	圖法 PROJ.
			名額 (TITLE): Female Header P:2.54 x 2.54 mm	張數 SHEET
			Profile : 5.0mm, Bottom Entry Type, Dual Row	1/1
				更改 REV.
				A

**玖允企業有限公司**  
 IO PARTS Enterprise Co., Ltd.