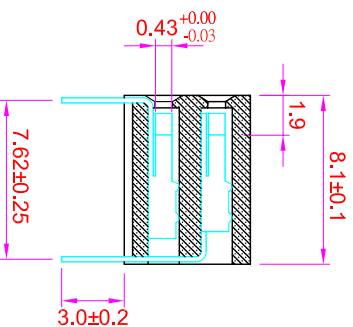
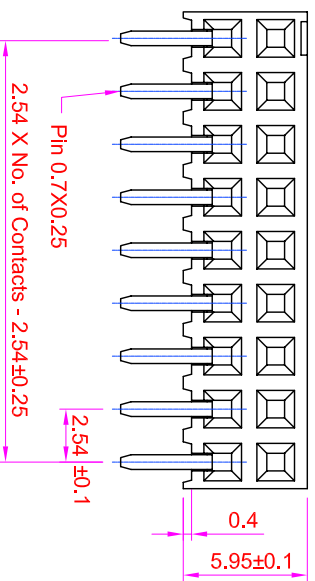
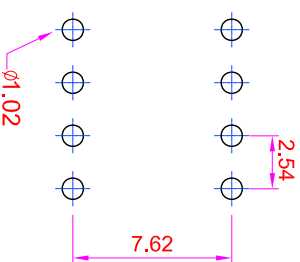
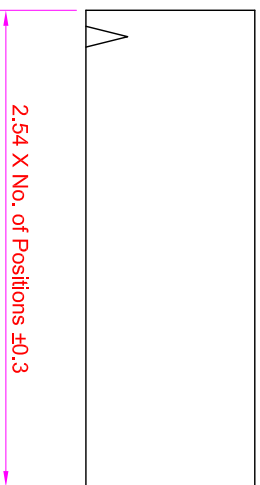


ROHS

Recommended

P.C. Board Hole Layout



- Specifications**
- Current Rating : 3 Amps
  - Insulator Resistance : 1000 Megohms min.
  - Contact Resistance : 20 m ohms max.
  - Dielectric Withstanding : AC 600V
  - Operating Temperature : -40° C ~ +105° C
  - Contact Material : Phosphor Bronze
  - Insulator Material : Polyester, UL 94V-0
  - Standard : NY9T
  - Contact Plated : See Option / Standard: Full Gold

Order Information

- FHA8 - S 2 XX - X 0 XX
- Serial Type
  - Terminal Type
  - S : Straight Type
  - Row Type
  - 2 : Dual Row
  - No. of Pin Per Row
  - Insulator Option
  - N : Nylon-9T
  - Contact Plating

Contact Plating Option	Full Gold Plating	Gold Plating On Contact Area Tin Plating On Solder Area	Full Tin Plating
GA : Gold Flash GC : Gold 10u" GD : Gold 15u" GE : Gold 30u"	SA : Gold Flash SC : Gold 10u" SD : Gold 15u" SE : Gold 30u"	TA : Tin 100u"	

GENERAL TOLERANCE		單位 (UNIT)	料號 (PART NO.)	圖號 (DWG NO.)	比例 (SCALE)	張數 (SHEET)	名稱 (TITLE)
X. ± 0.50	X. ° ± 5°	mm	FHA8-S2XX-00XX	FHA8-S2XX	3:1	1/1	Female Header Pitch 2.54mm
.X ± 0.20	.X ° ± 2°	Alice	Mary	Fen-Fen	3.1	B	Profile : 5.95mm, Dual Row, Side Entry Type
.XX ± 0.10	.XX ° ± 1°				REV.		
DATE:20080306	SCM1						