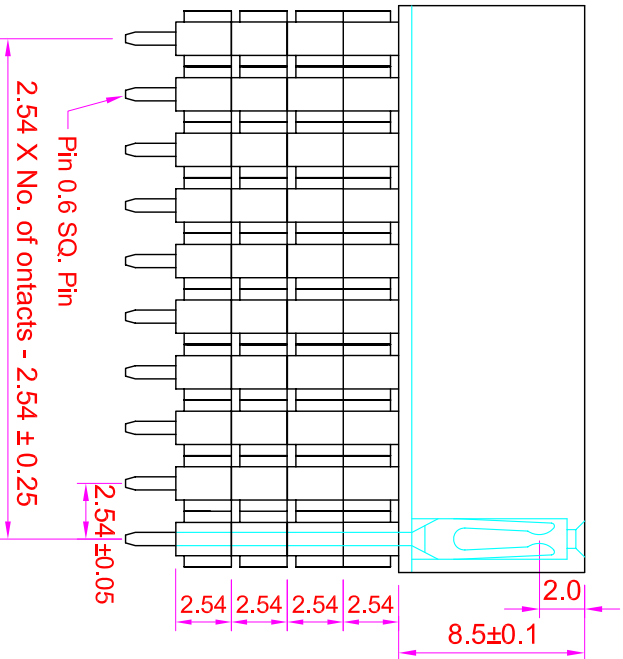
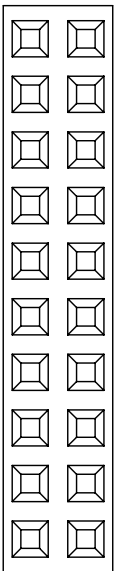


ROHS

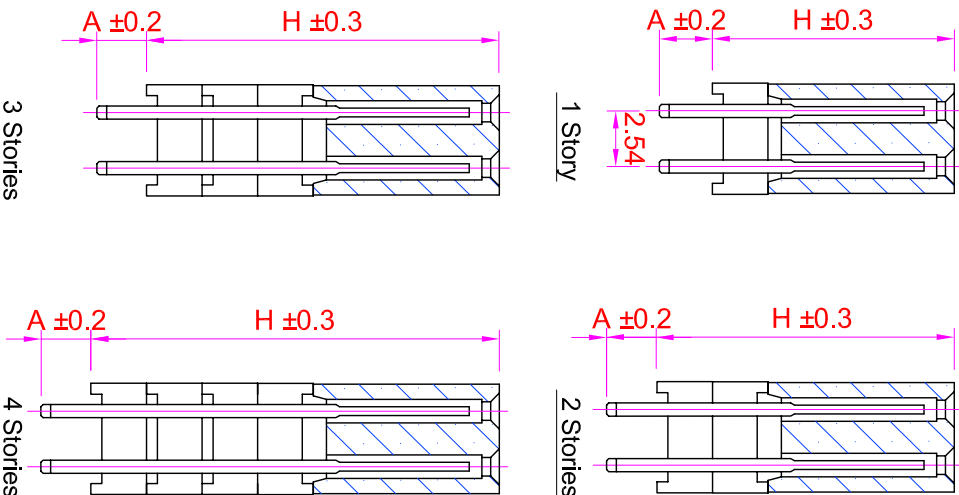
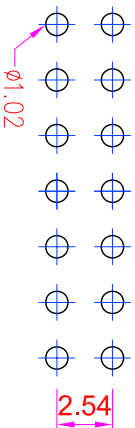
0.4 + 2.54 X No. of Position  $\pm 0.3$



Option

Elevated Story Option	H	A	Elevated Story Option	H	A
1EA	11.04	7.38	3EA	16.12	2.30
1EB	11.04	12.20	3EB	16.12	7.10
1EC	11.04	2.30			
2EA	13.58	4.84	4EA	18.66	4.60
2EB	13.58	9.65			

Recommended P.C. Board Hole Layout



Rev	Modification	Date	Validate

**Specifications**  
 Current Rating : 3 Amps  
 Insulator Resistance : 1000 Megohms min.  
 Contact Resistance : 20 m ohms max.  
 Dielectric Withstanding : AC 600V  
 Operating Temperature : -40°C ~ +105°C  
 Contact Material : Brass  
 Insulator Material : Polyester, UL 94V-0 P.B.T.  
 Option: Nylon-6T.  
 Contact Plated : See Option  
 Standard: Full Gold Flash

Order Information

FHA6 - S 2 XX - XXX XX - X  
 Serial Type  
 Terminal Option  
 S : Straight Type  
 Row Option  
 2 : Dual Row  
 No. of Pin Per Row  
 Elevated Story Option  
 See Option  
 Contact Plating  
 Insulator Option  
 Blank : P.B.T.  
 N : Nylon-6T

Contact Plating Option	Full Gold Plating	Gold Plating On Contact Area Tin Plating On Solder Area	Full Tin Plating
GA : Gold Flash GC : Gold 10u" GD : Gold 15u" GE : Gold 30u"	SA : Gold Flash SC : Gold 10u" SD : Gold 15u" SE : Gold 30u"	TA : Tin 100u"	

GENERAL TOLERANCE		單位 (UNIT)		料號 (PART NO.)		圖號 (DWG NO.)	
X. ± 0.50	X. ° ± 5°	mm	FHA6-S2XX-XXXGA-X	FHA6-S2XX-XXX	比例 (SCALE)	張數 (SHEET)	名稱 (TITLE):
.X ± 0.20	.X ° ± 2°	mm	Fen-Fen	Fen-Fen	3:1	1/1	Female Header P2.54mm
.XX ± 0.10	.XX ° ± 1°	mm	Alien	Alien	3:1	1/1	Elevated Story, Doul Row, Straight Type
DATE:2010/12/02	SCM1						

IO PARTS Enterprise Co., Ltd.