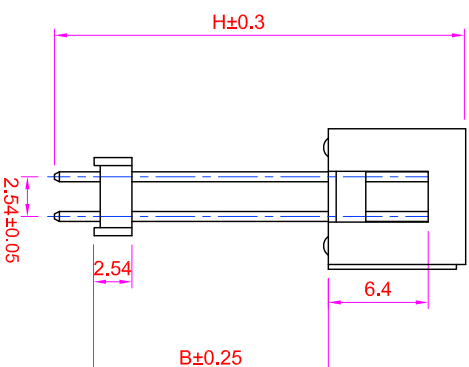
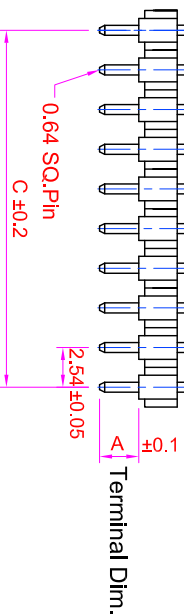
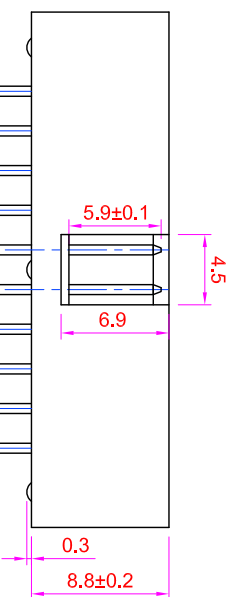
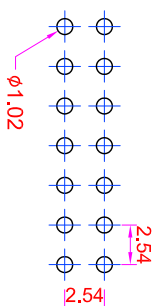
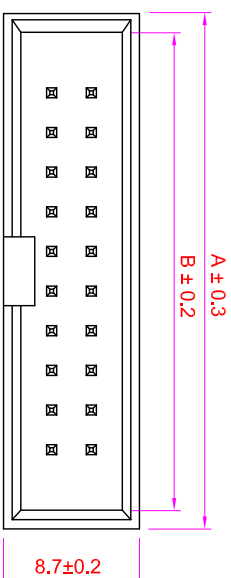


Recommended P.C. Board Hole Layout



CONTACTS	DIMENASION			CONTACTS	DIMENASION		
	A	B	C		A	B	C
06P	15.24	12.70	5.08	26P	40.64	38.24	30.48
08P	17.78	15.24	7.62	30P	45.72	43.32	35.56
10P	20.32	17.78	10.16	34P	50.80	48.40	40.64
12P	22.86	20.46	12.70	40P	58.42	56.02	48.26
14P	25.40	23.00	15.24	44P	63.50	61.10	53.34
16P	27.94	25.40	17.78	50P	71.12	68.72	60.96
20P	33.02	30.62	22.86	60P	83.82	81.42	73.66
24P	38.10	35.70	27.94	64P	88.90	86.50	78.74

GENERAL TOLERANCE		單位 (UNIT)	
X. ± 0.30	X. ° ± 5°	mm	
.X ± 0.20	.X ° ± 2°	審核 (APPROVAL)	
.XX ± 0.10	.XX ° ± 1°	Alice	
DATE:2011/01/12	SSU	Mary	

料號 (PART NO.)		圖號 (DWG NO.)	
BHAA-S0XX-XXXX-X	BHAA-S0XX	比例 (SCALE)	張數 (SHEET)
審核 (CHECKED)	製圖 (DRAWN)	Free	1/1
Mary	Fen-Fen	角法 (PROJ.)	型式 (REV.)
		⊕	B

圖號 (DWG NO.)		比例 (SCALE)	
BHAA-S0XX	BHAA-S0XX	Free	1/1
審核 (CHECKED)	製圖 (DRAWN)	角法 (PROJ.)	型式 (REV.)
Mary	Fen-Fen	⊕	B

名稱 (TITLE):	
Elevated Story / Straight Dip Type	

Rev	Modification Content	Date	Drawn

Specifications

- Current Rating : 3 Amps
- Insulator Resistance : 1000 Megohms min.
- Contact Resistance : 20 m ohms max.
- Dielectric Withstanding : AC 600V
- Operating Temperature : -40°C ~ +105°C
- Contact Materil : Brass
- Insulator Material : Polyester, UL 94V-0 P.B.T.
- Contact Plated : See Option
- Standard: Full Gold Flash

Order Information

BHAA - S 0 XX - XX XX - X

Serial No. _____

Terminal Type _____

S : Straight Type

No. of Contacts _____

Terminal Dim. _____

XX: A:....mm,B:....mm,H:....mm

Contact Plated _____

Contact Plated _____

Contact Plated _____

Blank : PBT (Standard)

N : Nylon-6T