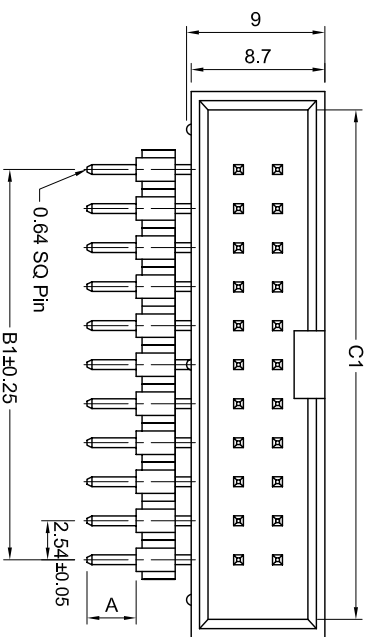
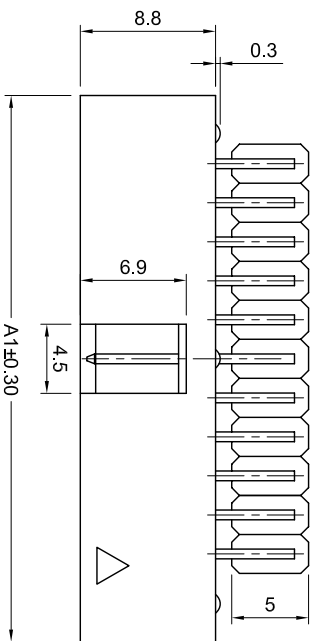
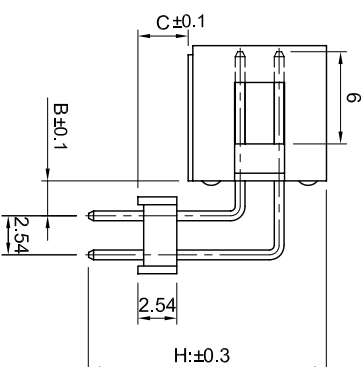
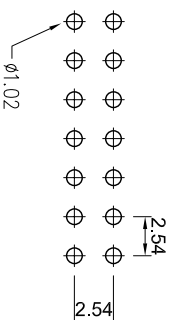


ROHS



Recommended P.C. Board Hole Layout



- ### Specifications
- Current Rating : 3 Amps
 - Insulator Resistance : 1000 Megohms min.
 - Contact Resistance : 20 m ohms max.
 - Dielectric Withstanding : AC 600V
 - Operating Temperature : -40°C ~ +105°C
 - Contact Material : Brass
 - Insulator Material : Polyester, UL 94V-0 P.B.T.
 - Contact Plated : See Option
 - Standard: Full Gold Flash

Order Information

- BHAA - R 0 X X - X X X X - X
- Serial No. _____
 - Terminal Type _____
 - R : Right Angle Type
 - No. of Contacts _____
 - Terminal Dim. _____
 - 1 : A...B...C...H.....
 - Contact Plated _____
 - Insulator Material Type _____
 - Blank : P.B.T (Standard)
 - N : Nylon-6T

CONTACTS	DIMENASION			CONTACTS	DIMENASION		
	A1	B1	C1		A1	B1	C1
10P	20.32	17.92	10.16	34P	50.80	48.40	40.64
14P	25.40	23.00	15.24	40P	58.42	56.02	48.26
16P	27.94	25.54	17.78	50P	71.12	68.72	60.96
20P	33.02	30.62	22.86	60P	83.82	81.42	73.66
24P	38.10	35.70	27.94	64P	88.90	86.50	78.74
26P	40.64	38.24	30.48				
30P	45.72	43.32	35.56				

Contact Plating Option	Full Gold Plating	Gold Plating On Contact Area Tin Plating On Solder Areas	Full Tin Plating
GA : Gold Flash GC : Gold 10u" GD : Gold 15u" GE : Gold 30u"	SA : Gold Flash SC : Gold 10u" SD : Gold 15u" SE : Gold 30u"	TA : Tin 100u"	

GENERAL TOLERANCE 單位 (UNIT)

X. ± 0.50	X. ° ± 5°
.X ± 0.20	.X ° ± 2°
.XX ± 0.10	.XX ° ± 1°
DATE2011/03/12	SGO

料號 (PART NO.)
BHA1-R0XX-00XX-X

審核 (CHECKED)
Mary

製圖 (DRAWN)
Fen-Fen

圖號 (DWG NO.)
BHA1-R0XX

比例 SCALE
3:1

張數 SHEET
1/1

修改 REV.
A

名稱 (TITLE):
Box Header Pitch : 2.54mm
Elevated Type, Right Angle Dip Type

IO 宏允企業有限公司
IO PARTS Enterprise Co., Ltd.

Rev	Modification	Date	Validate