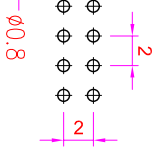
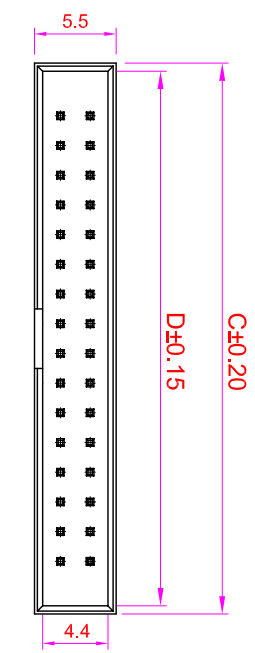


### Recommended P.C. Board Hole Layout

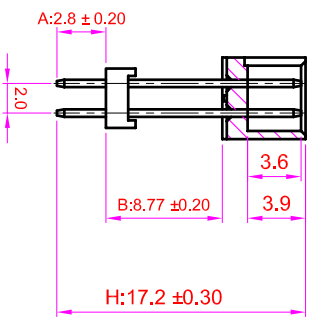
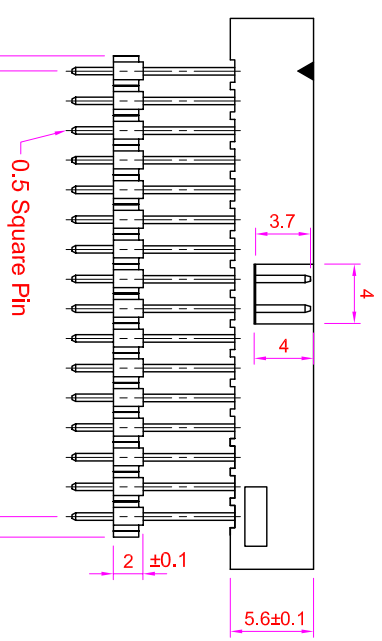


### Specifications

Current Rating : 2 Amps  
 Insulator Resistance : 1000 Megohms min.  
 Contact Resistance : 20 m ohms max.  
 Dielectric Withstanding : AC 500V  
 Operating Temperature : -40°C ~ +105°C  
 Contact Material : Brass  
 Insulator Material : Polyester, UL 94V-0  
 Standard : Nylon-6T  
 Contact Plating : See Option / Standard: Full Gold

### Order Information

BHBA - S 0 XX - 04 XX - N



Serial No. \_\_\_\_\_  
 Terminal Type \_\_\_\_\_  
 S : Straight Type  
 No. of Contact \_\_\_\_\_  
 Terminal Dim: \_\_\_\_\_  
 04, A=2.8mm, B=8.77mm, H=17.2mm  
 Contact Plated \_\_\_\_\_  
 Insulator Option \_\_\_\_\_  
 N: Nylon-6T ( Standard)

| Contact Plating Option                              | Full Gold Plating                                   | Gold Plating On Contact Area<br>Tin Plating On Solder Area | Full Tin Plating |
|---|---|--|------------------|
| GA : Gold Flash<br>GD : Gold 150"<br>GE : Gold 300" | SA : Gold Flash<br>SD : Gold 150"<br>SE : Gold 300" | TA : Tin 1000"   |                  |

| GENERAL TOLERANCE |             |
|-------------------|-------------|
| X. ± 0.50         | X. ° ± 5 °  |
| .X ± 0.20         | .X ° ± 2 °  |
| .XX ± 0.10        | .XX ° ± 1 ° |
| 日期 (DATE)         | 2007/04/25  |

|               |       |               |                |              |              |  |   |
|---------------|-------|---------------|----------------|--------------|--------------|--|---|
| 單位 (UNIT)     | mm    | 料號 (PART NO.) | BHBA-S0XX-04GA | 圖號 (DWG NO.) | BHBA-S0XX-XX | 名稱 (TITLE):  | 允允企業有限公司<br>IO PARTS Enterprise Co., Ltd. |
| 審核 (APPROVAL) | Alice | 校對 (CHECKED)  | Mary           | 製圖 (DRAWN)   | Fen-Fen      | 比例<br>SCALE  | 2 : 1                                     |
|               |       | 日期 (DATE)     | 2007/04/25     | 修改<br>REV.   | 1.0          | Box Header Pitch 2.0mm<br>Elevated Stipes / Straight Type, |   |