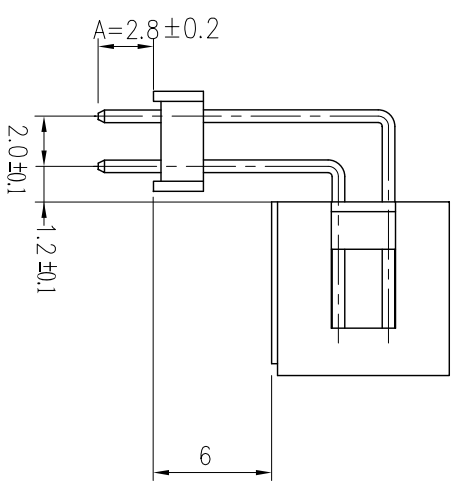
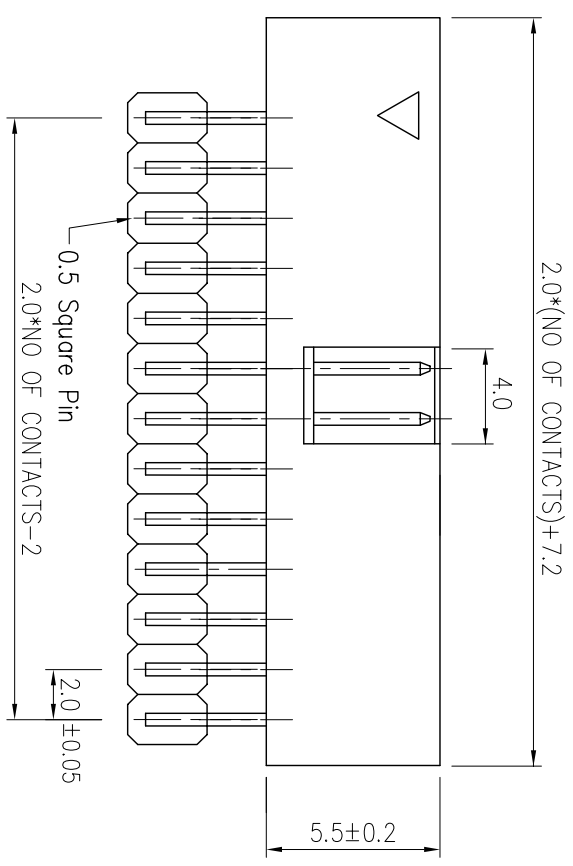
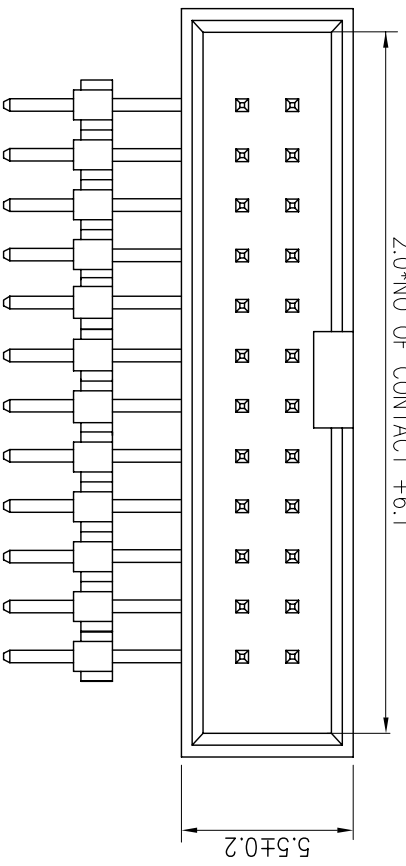


2.0\*NO OF CONTACT +6.1



Specifications

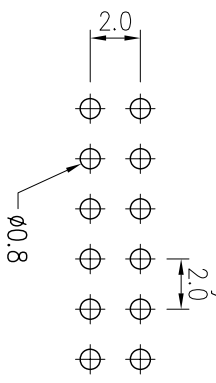
Current Rating : 3 Amps  
 Insulator Resistance : 1000 Megohms min.  
 Contact Resistance : 20 m ohms max.  
 Dielectric Withstanding : AC 600V  
 Operating Temperature : -40°C ~ +105°C  
 Contact Material : Brass  
 Insulator Material : Polyester, UL 94V-0  
 Standard : P.B.T  
 Contact Plated : Full Gold or Full Tin

Order Information

BHBA - R 0 XX - XX  
 Serial No. \_\_\_\_\_  
 Terminal Type \_\_\_\_\_  
 R : Right Angle Type  
 No. of Contacts \_\_\_\_\_  
 Pin Tail \_\_\_\_\_  
 01:A.....  
 02:A.....  
 Contact Plated \_\_\_\_\_

Contact Plating Option	Full Gold Plating	Gold Plating On Contact Area Tin Plating On Solder Area	Full Tin Plating
GA : Gold Flash GC : Gold 10u" GD : Gold 15u" GE : Gold 30u"	SA : Gold Flash SC : Gold 10u" SD : Gold 15u" SE : Gold 30u"	TA : Tin 100u"	

Recommended  
P.C.Board Hole Layout



GENERAL TOLERANCE		(UNIT)	(PART NO.)	(DWG NO.)	(TITLE)
X ± 0.50	X ± 1.5		BHBA-R0XX-X0XX	BHBA-R0XX	允企业有限公司 IO PARTS Enterprise Co., Ltd.
X ± 0.20	X ± 2	(APPROVAL)	(CHECKED)	(DRAWN)	Box Header P2.0mm Elevated Store,Right Angle Type
X X ± 0.10	X X ± 1	Alice	Mary	Fen-Fen	
(DATE)	2007/01/03				
				SCALE 2.5 : 1	
				SHEET 1 / 1	
				REV. 1.0	

REV	MODIFICATION