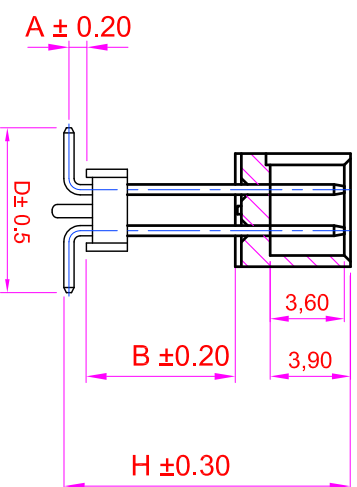
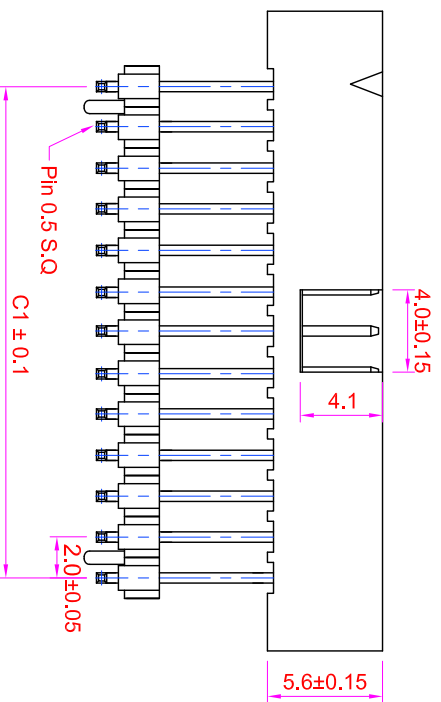
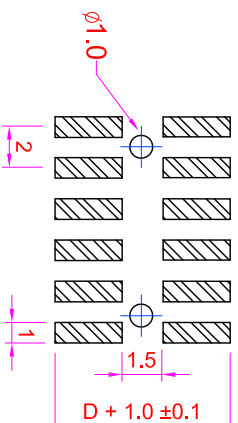
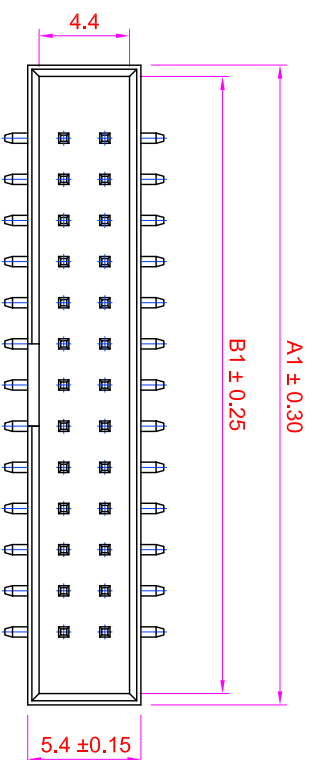


Recommended P.C. Board SMD Layout



Specifications

- Current Rating : 2 Amps
- Insulator Resistance : 1000 Megohms min.
- Contact Resistance : 20 m ohms max.
- Dielectric Withstanding : AC 500V
- Operating Temperature : -40°C ~ +105°C
- Contact Material : Brass
- Insulator Material : Polyester, UL 94V-0
- Standard : Nylon-6T
- Contact Plating : See Option / Standard: Full Gold

Order Information

- BHBA - M 0 XX - X X XX - X X - X**
- Serial No. _____
 - Terminal Type
M : SMD Type
 - No. of Contacts _____
 - Post Option
0: Without Post
1: With Post
 - Terminal Option
1: A:XXmm , B:XXmm, D:XXmm, H:XXmm
 - Contact Plated _____
 - Cap Option _____
 - B: Blank
 - P: Plastic Cap
 - Packing Method _____
 - T: In Tube
 - R: Tape & Reel
 - Insulator Option
N: Nylon-6T (Standard)


Pos.	Dimension			Pos.	Dimension		
	A	B	C		A	B	C
06	13.20	12.10	4.00	30	37.20	36.10	28.00
08	15.20	14.10	6.00	32	39.20	38.10	30.00
10	17.20	16.10	8.00	34	41.20	40.10	32.00
12	19.20	18.10	10.00	36	43.20	42.10	34.00
14	21.20	20.10	12.00	40	47.20	46.10	38.00
16	23.20	22.10	14.00	44	51.20	50.10	42.00
18	25.20	24.10	16.00	50	57.20	56.10	48.00
20	27.20	26.10	18.00	60	67.20	66.10	58.00
22	29.20	28.10	20.00	64	71.20	70.10	62.00
24	31.20	30.10	22.00	68	75.20	74.10	66.00
26	33.20	32.10	24.00				

Contact Plating Option	Full Gold Plating	Gold Plating On Contact Area Tin Plating On Solder Area	Full Tin Plating
GA : Gold Flash GC : Gold Flt GD : Gold 15u" GE : Gold 30u"	SA : Gold Flash SD : Gold 15u" SE : Gold 30u"	TA : Tin 100u"	

GENERAL TOLERANCE	
X. ± 0.50	X. ° ± 5°
.X ± 0.20	.X ° ± 2°
.X X ± 0.10	.X X ° ± 1°
Date:2009/02/11	SSVZ

單位 (UNIT)	料號 (PART NO.)	檢驗 (CHECKED)	製圖 (DRAWN)
mm	BHBA-M0XX-00XX-XX	Mary	Fen-Fen

圖號 (DWG NO.)	比例 (SCALE)	張數 (SHEET)	圖法 (PROJ.)
BHBA-M0XX	2:1	1 / 1	REV. 1.0


允企業有限公司
 IO PARTS Enterprise Co., Ltd.
 Box Header Pitch 2.0mm
 Elevated Stories / SMD Type,